



# Full wwPDB X-ray Structure Validation Report ⓘ

Nov 13, 2023 – 08:28 PM JST

PDB ID : 5Y2O  
Title : Structure of PPARgamma ligand binding domain-pioglitazone complex  
Authors : Im, Y.J.; Lee, M.  
Deposited on : 2017-07-26  
Resolution : 1.80 Å(reported)

This is a Full wwPDB X-ray Structure Validation Report for a publicly released PDB entry.

We welcome your comments at [validation@mail.wwpdb.org](mailto:validation@mail.wwpdb.org)

A user guide is available at

<https://www.wwpdb.org/validation/2017/XrayValidationReportHelp>

with specific help available everywhere you see the ⓘ symbol.

The types of validation reports are described at

<http://www.wwpdb.org/validation/2017/FAQs#types>.

---

The following versions of software and data (see [references ⓘ](#)) were used in the production of this report:

MolProbity : 4.02b-467  
Mogul : 1.8.5 (274361), CSD as541be (2020)  
Xtriage (Phenix) : 1.13  
EDS : 2.36  
buster-report : 1.1.7 (2018)  
Percentile statistics : 20191225.v01 (using entries in the PDB archive December 25th 2019)  
Refmac : 5.8.0158  
CCP4 : 7.0.044 (Gargrove)  
Ideal geometry (proteins) : Engh & Huber (2001)  
Ideal geometry (DNA, RNA) : Parkinson et al. (1996)  
Validation Pipeline (wwPDB-VP) : 2.36

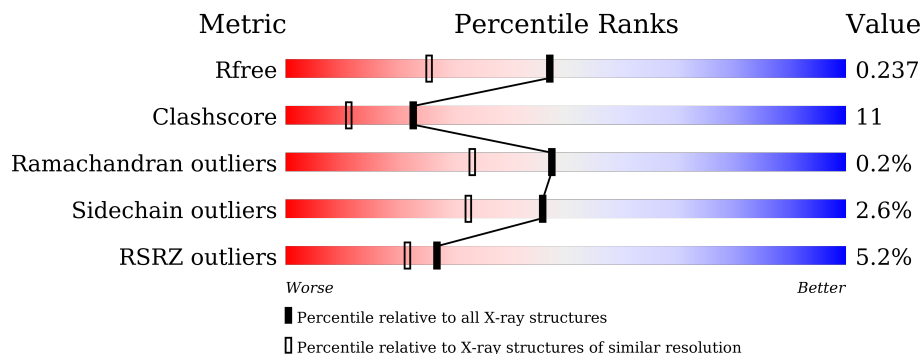
# 1 Overall quality at a glance

The following experimental techniques were used to determine the structure:

*X-RAY DIFFRACTION*

The reported resolution of this entry is 1.80 Å.

Percentile scores (ranging between 0-100) for global validation metrics of the entry are shown in the following graphic. The table shows the number of entries on which the scores are based.



Metric	Whole archive (#Entries)	Similar resolution (#Entries, resolution range(Å))
$R_{free}$	130704	5950 (1.80-1.80)
Clashscore	141614	6793 (1.80-1.80)
Ramachandran outliers	138981	6697 (1.80-1.80)
Sidechain outliers	138945	6696 (1.80-1.80)
RSRZ outliers	127900	5850 (1.80-1.80)

The table below summarises the geometric issues observed across the polymeric chains and their fit to the electron density. The red, orange, yellow and green segments of the lower bar indicate the fraction of residues that contain outliers for  $\geq 3$ , 2, 1 and 0 types of geometric quality criteria respectively. A grey segment represents the fraction of residues that are not modelled. The numeric value for each fraction is indicated below the corresponding segment, with a dot representing fractions  $\leq 5\%$ . The upper red bar (where present) indicates the fraction of residues that have poor fit to the electron density. The numeric value is given above the bar.

Mol	Chain	Length	Quality of chain
1	A	294	
1	B	294	

## 2 Entry composition i

There are 3 unique types of molecules in this entry. The entry contains 4437 atoms, of which 0 are hydrogens and 0 are deuteriums.

In the tables below, the ZeroOcc column contains the number of atoms modelled with zero occupancy, the AltConf column contains the number of residues with at least one atom in alternate conformation and the Trace column contains the number of residues modelled with at most 2 atoms.

- Molecule 1 is a protein called Peroxisome proliferator-activated receptor gamma.

Mol	Chain	Residues	Atoms					ZeroOcc	AltConf	Trace
			Total	C	N	O	S			
1	A	262	2099	1354	342	393	10	0	0	0
1	B	257	2054	1329	337	378	10	0	0	0

There are 46 discrepancies between the modelled and reference sequences:

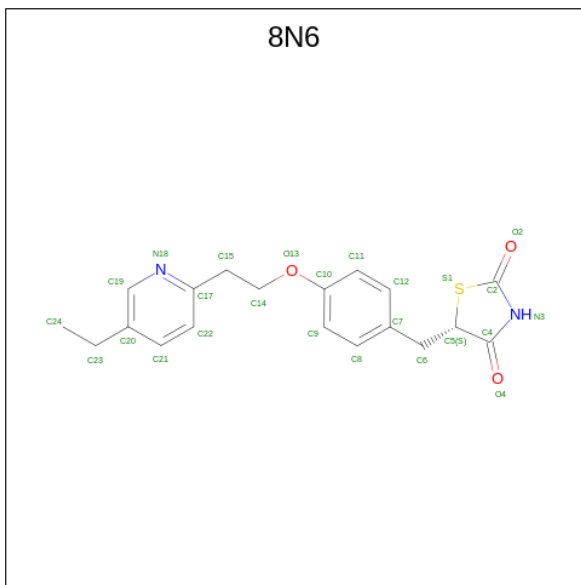
Chain	Residue	Modelled	Actual	Comment	Reference
A	184	MET	-	expression tag	UNP P37231
A	185	GLY	-	expression tag	UNP P37231
A	186	SER	-	expression tag	UNP P37231
A	187	SER	-	expression tag	UNP P37231
A	188	HIS	-	expression tag	UNP P37231
A	189	HIS	-	expression tag	UNP P37231
A	190	HIS	-	expression tag	UNP P37231
A	191	HIS	-	expression tag	UNP P37231
A	192	HIS	-	expression tag	UNP P37231
A	193	HIS	-	expression tag	UNP P37231
A	194	SER	-	expression tag	UNP P37231
A	195	SER	-	expression tag	UNP P37231
A	196	GLY	-	expression tag	UNP P37231
A	197	LEU	-	expression tag	UNP P37231
A	198	VAL	-	expression tag	UNP P37231
A	199	PRO	-	expression tag	UNP P37231
A	200	ARG	-	expression tag	UNP P37231
A	201	GLY	-	expression tag	UNP P37231
A	202	SER	-	expression tag	UNP P37231
A	203	ALA	-	expression tag	UNP P37231
A	204	MET	-	expression tag	UNP P37231
A	205	GLY	-	expression tag	UNP P37231
A	206	SER	-	expression tag	UNP P37231
B	184	MET	-	expression tag	UNP P37231
B	185	GLY	-	expression tag	UNP P37231

*Continued on next page...*

Continued from previous page...

Chain	Residue	Modelled	Actual	Comment	Reference
B	186	SER	-	expression tag	UNP P37231
B	187	SER	-	expression tag	UNP P37231
B	188	HIS	-	expression tag	UNP P37231
B	189	HIS	-	expression tag	UNP P37231
B	190	HIS	-	expression tag	UNP P37231
B	191	HIS	-	expression tag	UNP P37231
B	192	HIS	-	expression tag	UNP P37231
B	193	HIS	-	expression tag	UNP P37231
B	194	SER	-	expression tag	UNP P37231
B	195	SER	-	expression tag	UNP P37231
B	196	GLY	-	expression tag	UNP P37231
B	197	LEU	-	expression tag	UNP P37231
B	198	VAL	-	expression tag	UNP P37231
B	199	PRO	-	expression tag	UNP P37231
B	200	ARG	-	expression tag	UNP P37231
B	201	GLY	-	expression tag	UNP P37231
B	202	SER	-	expression tag	UNP P37231
B	203	ALA	-	expression tag	UNP P37231
B	204	MET	-	expression tag	UNP P37231
B	205	GLY	-	expression tag	UNP P37231
B	206	SER	-	expression tag	UNP P37231

- Molecule 2 is (5S)-5-[[4-[2-(5-ethylpyridin-2-yl)ethoxy]phenyl]methyl]-1,3-thiazolidine-2,4-dione (three-letter code: 8N6) (formula: C<sub>19</sub>H<sub>20</sub>N<sub>2</sub>O<sub>3</sub>S) (labeled as "Ligand of Interest" by depositor).



Mol	Chain	Residues	Atoms					ZeroOcc	AltConf
			Total	C	N	O	S		
2	A	1	25	19	2	3	1	0	0

- Molecule 3 is water.

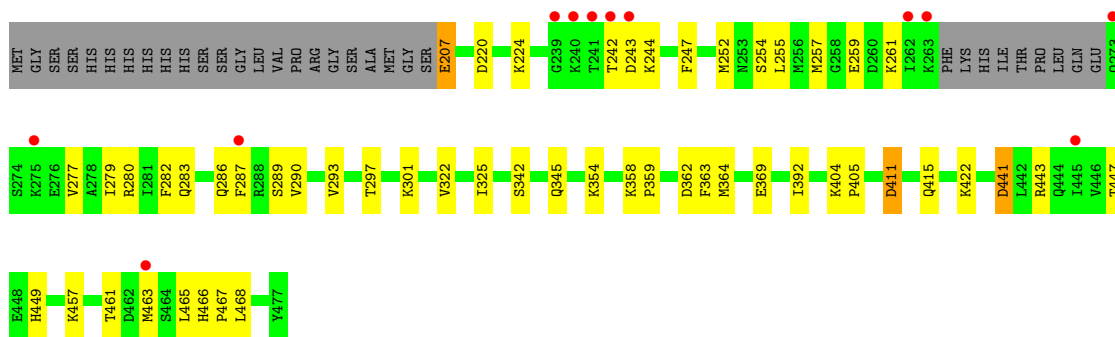
Mol	Chain	Residues	Atoms		ZeroOcc	AltConf
3	A	112	Total 112	O 112	0	0
3	B	147	Total 147	O 147	0	0

### 3 Residue-property plots [i](#)

These plots are drawn for all protein, RNA, DNA and oligosaccharide chains in the entry. The first graphic for a chain summarises the proportions of the various outlier classes displayed in the second graphic. The second graphic shows the sequence view annotated by issues in geometry and electron density. Residues are color-coded according to the number of geometric quality criteria for which they contain at least one outlier: green = 0, yellow = 1, orange = 2 and red = 3 or more. A red dot above a residue indicates a poor fit to the electron density ( $RSRZ > 2$ ). Stretches of 2 or more consecutive residues without any outlier are shown as a green connector. Residues present in the sample, but not in the model, are shown in grey.

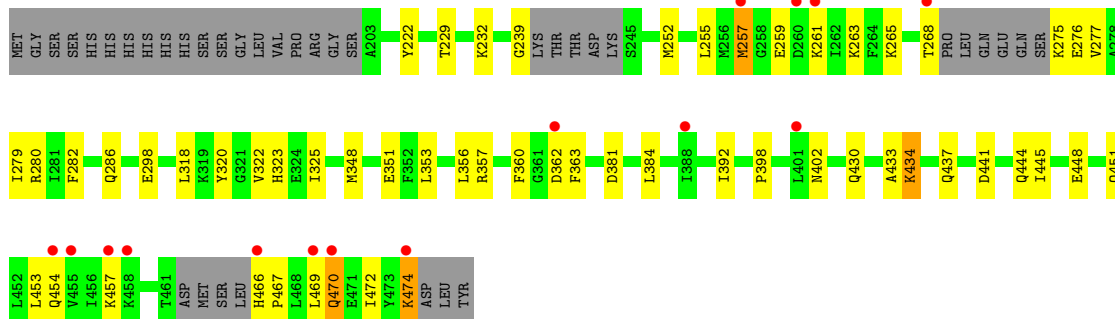
- Molecule 1: Peroxisome proliferator-activated receptor gamma

Chain A: 



- Molecule 1: Peroxisome proliferator-activated receptor gamma

Chain B: 



## 4 Data and refinement statistics i

Property	Value	Source
Space group	P 1 21 1	Depositor
Cell constants a, b, c, $\alpha$ , $\beta$ , $\gamma$	55.58Å 88.14Å 57.73Å 90.00° 91.24° 90.00°	Depositor
Resolution (Å)	35.03 – 1.80 35.03 – 1.80	Depositor EDS
% Data completeness (in resolution range)	97.0 (35.03-1.80) 97.0 (35.03-1.80)	Depositor EDS
$R_{merge}$	0.07	Depositor
$R_{sym}$	(Not available)	Depositor
$\langle I/\sigma(I) \rangle$ <sup>1</sup>	3.20 (at 1.81Å)	Xtrriage
Refinement program	PHENIX (1.10.1_2155: ???)	Depositor
R, $R_{free}$	0.202 , 0.232 0.207 , 0.237	Depositor DCC
$R_{free}$ test set	2532 reflections (5.07%)	wwPDB-VP
Wilson B-factor (Å <sup>2</sup> )	30.2	Xtrriage
Anisotropy	0.588	Xtrriage
Bulk solvent $k_{sol}$ (e/Å <sup>3</sup> ), $B_{sol}$ (Å <sup>2</sup> )	0.35 , 48.2	EDS
L-test for twinning <sup>2</sup>	$\langle  L  \rangle = 0.49$ , $\langle L^2 \rangle = 0.32$	Xtrriage
Estimated twinning fraction	0.005 for l,k,-h 0.034 for h,-k,-l 0.024 for l,-k,h	Xtrriage
$F_o, F_c$ correlation	0.95	EDS
Total number of atoms	4437	wwPDB-VP
Average B, all atoms (Å <sup>2</sup> )	40.0	wwPDB-VP

Xtrriage's analysis on translational NCS is as follows: *The largest off-origin peak in the Patterson function is 5.50% of the height of the origin peak. No significant pseudotranslation is detected.*

<sup>1</sup>Intensities estimated from amplitudes.

<sup>2</sup>Theoretical values of  $\langle |L| \rangle$ ,  $\langle L^2 \rangle$  for acentric reflections are 0.5, 0.333 respectively for untwinned datasets, and 0.375, 0.2 for perfectly twinned datasets.

## 5 Model quality [i](#)

### 5.1 Standard geometry [i](#)

Bond lengths and bond angles in the following residue types are not validated in this section: 8N6

The Z score for a bond length (or angle) is the number of standard deviations the observed value is removed from the expected value. A bond length (or angle) with  $|Z| > 5$  is considered an outlier worth inspection. RMSZ is the root-mean-square of all Z scores of the bond lengths (or angles).

Mol	Chain	Bond lengths		Bond angles	
		RMSZ	# Z  >5	RMSZ	# Z  >5
1	A	0.36	0/2133	0.52	0/2872
1	B	0.38	0/2087	0.53	0/2806
All	All	0.37	0/4220	0.52	0/5678

There are no bond length outliers.

There are no bond angle outliers.

There are no chirality outliers.

There are no planarity outliers.

### 5.2 Too-close contacts [i](#)

In the following table, the Non-H and H(model) columns list the number of non-hydrogen atoms and hydrogen atoms in the chain respectively. The H(added) column lists the number of hydrogen atoms added and optimized by MolProbity. The Clashes column lists the number of clashes within the asymmetric unit, whereas Symm-Clashes lists symmetry-related clashes.

Mol	Chain	Non-H	H(model)	H(added)	Clashes	Symm-Clashes
1	A	2099	0	2161	51	1
1	B	2054	0	2118	47	1
2	A	25	0	0	0	0
3	A	112	0	0	5	0
3	B	147	0	0	19	0
All	All	4437	0	4279	97	1

The all-atom clashscore is defined as the number of clashes found per 1000 atoms (including hydrogen atoms). The all-atom clashscore for this structure is 11.

All (97) close contacts within the same asymmetric unit are listed below, sorted by their clash magnitude.



Atom-1	Atom-2	Interatomic distance (Å)	Clash overlap (Å)
1:A:358:LYS:HD2	1:A:359:PRO:HA	1.47	0.95
1:B:474:LYS:HE3	1:B:474:LYS:HA	1.47	0.94
1:B:259:GLU:OE2	1:B:280:ARG:NH2	2.02	0.93
1:B:222:TYR:OH	3:B:501:HOH:O	1.88	0.90
1:A:358:LYS:HE3	1:A:362:ASP:OD2	1.71	0.89
1:A:257:MET:HB3	3:A:606:HOH:O	1.76	0.85
1:B:470:GLN:NE2	3:B:505:HOH:O	2.11	0.83
1:B:275:LYS:HG2	1:B:276:GLU:H	1.46	0.79
1:B:325:ILE:HD11	1:B:392:ILE:HG13	1.65	0.77
1:B:351:GLU:OE1	3:B:502:HOH:O	2.04	0.75
1:B:444:GLN:NE2	3:B:508:HOH:O	2.17	0.75
1:A:254:SER:HA	3:A:606:HOH:O	1.86	0.74
1:B:265:LYS:NZ	3:B:507:HOH:O	2.17	0.73
1:B:356:LEU:O	3:B:503:HOH:O	2.04	0.73
1:A:447:THR:HG21	3:B:508:HOH:O	1.91	0.70
1:B:430:GLN:O	1:B:434:LYS:HD3	1.91	0.70
1:A:369:GLU:OE1	3:A:601:HOH:O	2.09	0.69
1:B:298:GLU:OE1	3:B:504:HOH:O	2.10	0.69
1:B:381:ASP:OD1	3:B:501:HOH:O	2.10	0.69
1:B:323:HIS:ND1	3:B:511:HOH:O	2.26	0.69
1:A:363:PHE:HE1	1:A:449:HIS:HE1	1.42	0.68
1:A:279:ILE:O	1:A:283:GLN:HG3	1.93	0.67
1:A:363:PHE:CE1	1:A:449:HIS:HE1	2.12	0.67
1:B:474:LYS:N	3:B:513:HOH:O	2.29	0.65
1:A:259:GLU:OE2	1:A:280:ARG:NH1	2.29	0.65
1:A:443:ARG:O	1:A:447:THR:HG23	1.97	0.64
1:A:207:GLU:O	1:A:207:GLU:HG3	1.97	0.63
1:A:252:MET:HE3	1:A:277:VAL:HG11	1.82	0.62
1:B:325:ILE:HD11	1:B:392:ILE:CG1	2.30	0.62
1:A:358:LYS:CD	1:A:359:PRO:HA	2.27	0.62
1:A:252:MET:CE	1:A:277:VAL:HG11	2.30	0.61
1:A:287:PHE:O	1:A:290:VAL:HG12	2.00	0.61
1:A:220:ASP:O	1:A:224:LYS:HG3	2.01	0.60
1:A:242:THR:OG1	1:A:243:ASP:N	2.34	0.60
1:B:474:LYS:NZ	3:B:513:HOH:O	2.34	0.60
1:B:286:GLN:HG3	3:B:516:HOH:O	2.01	0.60
1:B:466:HIS:HA	1:B:469:LEU:HB3	1.85	0.58
1:A:325:ILE:HD11	1:A:392:ILE:CG1	2.33	0.57
1:B:451:GLN:O	1:B:454:GLN:HB2	2.04	0.57
1:A:457:LYS:HZ1	1:A:463:MET:HB2	1.69	0.56
1:B:286:GLN:NE2	3:B:516:HOH:O	2.37	0.56
1:A:247:PHE:HZ	3:A:606:HOH:O	1.89	0.55

*Continued on next page...*

*Continued from previous page...*

Atom-1	Atom-2	Interatomic distance (Å)	Clash overlap (Å)
1:A:342:SER:O	1:A:345:GLN:HG3	2.07	0.55
1:A:242:THR:HG23	1:A:243:ASP:OD2	2.08	0.54
1:A:363:PHE:CD2	1:A:364:MET:HG2	2.42	0.54
1:B:229:THR:OG1	1:B:232:LYS:HG3	2.06	0.54
1:B:466:HIS:HB2	1:B:467:PRO:HD3	1.90	0.54
1:A:261:LYS:N	1:A:261:LYS:HD2	2.23	0.53
1:A:411:ASP:OD1	1:B:434:LYS:HE2	2.08	0.53
1:B:320:TYR:CZ	1:B:398:PRO:HG2	2.44	0.53
1:A:422:LYS:HG3	3:A:608:HOH:O	2.08	0.53
1:B:441:ASP:O	1:B:445:ILE:HG12	2.09	0.52
1:B:474:LYS:HA	1:B:474:LYS:CE	2.30	0.52
1:A:457:LYS:NZ	1:A:463:MET:HB2	2.24	0.52
1:A:293:VAL:HG22	1:A:322:VAL:HG21	1.93	0.51
1:B:381:ASP:HA	3:B:501:HOH:O	2.11	0.51
1:A:325:ILE:HD11	1:A:392:ILE:HG13	1.93	0.50
1:A:279:ILE:HD12	1:A:463:MET:SD	2.52	0.50
1:A:287:PHE:O	1:A:290:VAL:CG1	2.60	0.50
1:B:255:LEU:C	1:B:255:LEU:HD23	2.32	0.49
1:B:252:MET:SD	1:B:277:VAL:HG11	2.52	0.49
1:A:293:VAL:O	1:A:297:THR:HG23	2.13	0.48
1:B:402:ASN:HB2	3:B:519:HOH:O	2.12	0.48
1:A:282:PHE:HE1	1:A:363:PHE:CE1	2.32	0.47
1:A:354:LYS:HD3	1:A:354:LYS:C	2.34	0.47
1:A:255:LEU:O	1:A:259:GLU:HG3	2.15	0.47
1:B:275:LYS:HD3	1:B:279:ILE:HG21	1.96	0.47
1:B:466:HIS:HA	1:B:469:LEU:CB	2.44	0.47
1:A:244:LYS:HB3	1:A:244:LYS:HZ1	1.81	0.46
1:B:239:GLY:N	3:B:510:HOH:O	2.48	0.46
1:B:469:LEU:HD12	1:B:472:ILE:HD12	1.97	0.46
1:A:290:VAL:HG23	1:A:468:LEU:HD23	1.96	0.46
1:A:259:GLU:CD	1:A:280:ARG:HH11	2.18	0.46
1:A:466:HIS:CG	1:A:467:PRO:HD2	2.51	0.45
1:B:384:LEU:HD12	3:B:501:HOH:O	2.17	0.45
1:A:257:MET:HG2	1:A:261:LYS:HD3	1.97	0.45
1:B:276:GLU:OE2	1:B:357:ARG:NE	2.40	0.45
1:B:348:MET:SD	1:B:353:LEU:HD21	2.57	0.45
1:B:257:MET:H	1:B:257:MET:HG2	1.55	0.44
1:A:282:PHE:CE1	1:A:363:PHE:CE1	3.06	0.44
1:A:363:PHE:HD2	1:A:364:MET:HG2	1.81	0.44
1:A:244:LYS:HB3	1:A:244:LYS:NZ	2.33	0.44
1:B:275:LYS:HG2	1:B:276:GLU:N	2.24	0.43

*Continued on next page...*

Continued from previous page...

Atom-1	Atom-2	Interatomic distance (Å)	Clash overlap (Å)
1:B:318:LEU:O	1:B:322:VAL:HG13	2.18	0.43
1:A:411:ASP:O	1:A:415:GLN:HG3	2.19	0.43
1:B:255:LEU:O	1:B:259:GLU:HG2	2.17	0.43
1:A:441:ASP:OD1	1:A:441:ASP:N	2.52	0.42
1:B:448:GLU:HB2	3:B:520:HOH:O	2.19	0.42
1:B:360:PHE:O	1:B:363:PHE:HD1	2.03	0.42
1:A:325:ILE:HD11	1:A:392:ILE:HG12	2.01	0.42
1:A:286:GLN:OE1	1:A:465:LEU:HD12	2.20	0.41
1:A:257:MET:HG3	1:A:261:LYS:NZ	2.36	0.41
1:B:282:PHE:HZ	1:B:453:LEU:CD2	2.34	0.41
1:B:457:LYS:HD3	1:B:457:LYS:HA	1.96	0.41
1:A:242:THR:O	1:A:243:ASP:HB2	2.21	0.41
1:A:404:LYS:N	1:A:405:PRO:CD	2.84	0.40
1:B:433:ALA:O	1:B:437:GLN:HG3	2.22	0.40

All (1) symmetry-related close contacts are listed below. The label for Atom-2 includes the symmetry operator and encoded unit-cell translations to be applied.

Atom-1	Atom-2	Interatomic distance (Å)	Clash overlap (Å)
1:A:301:LYS:NZ	1:B:472:ILE:O[1_455]	2.08	0.12

## 5.3 Torsion angles [i](#)

### 5.3.1 Protein backbone [i](#)

In the following table, the Percentiles column shows the percent Ramachandran outliers of the chain as a percentile score with respect to all X-ray entries followed by that with respect to entries of similar resolution.

The Analysed column shows the number of residues for which the backbone conformation was analysed, and the total number of residues.

Mol	Chain	Analysed	Favoured	Allowed	Outliers	Percentiles	
1	A	258/294 (88%)	253 (98%)	4 (2%)	1 (0%)	34	21
1	B	249/294 (85%)	247 (99%)	2 (1%)	0	100	100
All	All	507/588 (86%)	500 (99%)	6 (1%)	1 (0%)	47	33

All (1) Ramachandran outliers are listed below:

Mol	Chain	Res	Type
1	A	461	THR

### 5.3.2 Protein sidechains [i](#)

In the following table, the Percentiles column shows the percent sidechain outliers of the chain as a percentile score with respect to all X-ray entries followed by that with respect to entries of similar resolution.

The Analysed column shows the number of residues for which the sidechain conformation was analysed, and the total number of residues.

Mol	Chain	Analysed	Rotameric	Outliers	Percentiles	
1	A	235/262 (90%)	231 (98%)	4 (2%)	60	51
1	B	228/262 (87%)	220 (96%)	8 (4%)	36	21
All	All	463/524 (88%)	451 (97%)	12 (3%)	46	32

All (12) residues with a non-rotameric sidechain are listed below:

Mol	Chain	Res	Type
1	A	207	GLU
1	A	289	SER
1	A	411	ASP
1	A	441	ASP
1	B	257	MET
1	B	261	LYS
1	B	263	LYS
1	B	268	THR
1	B	362	ASP
1	B	434	LYS
1	B	470	GLN
1	B	474	LYS

Sometimes sidechains can be flipped to improve hydrogen bonding and reduce clashes. There are no such sidechains identified.

### 5.3.3 RNA [i](#)

There are no RNA molecules in this entry.

## 5.4 Non-standard residues in protein, DNA, RNA chains [i](#)

There are no non-standard protein/DNA/RNA residues in this entry.

## 5.5 Carbohydrates [i](#)

There are no monosaccharides in this entry.

## 5.6 Ligand geometry [i](#)

1 ligand is modelled in this entry.

In the following table, the Counts columns list the number of bonds (or angles) for which Mogul statistics could be retrieved, the number of bonds (or angles) that are observed in the model and the number of bonds (or angles) that are defined in the Chemical Component Dictionary. The Link column lists molecule types, if any, to which the group is linked. The Z score for a bond length (or angle) is the number of standard deviations the observed value is removed from the expected value. A bond length (or angle) with  $|Z| > 2$  is considered an outlier worth inspection. RMSZ is the root-mean-square of all Z scores of the bond lengths (or angles).

Mol	Type	Chain	Res	Link	Bond lengths			Bond angles		
					Counts	RMSZ	# Z  > 2	Counts	RMSZ	# Z  > 2
2	8N6	A	501	-	27,27,27	4.36	6 (22%)	34,36,36	2.35	11 (32%)

In the following table, the Chirals column lists the number of chiral outliers, the number of chiral centers analysed, the number of these observed in the model and the number defined in the Chemical Component Dictionary. Similar counts are reported in the Torsion and Rings columns. '-' means no outliers of that kind were identified.

Mol	Type	Chain	Res	Link	Chirals	Torsions	Rings
2	8N6	A	501	-	-	3/12/24/24	0/3/3/3

All (6) bond length outliers are listed below:

Mol	Chain	Res	Type	Atoms	Z	Observed(Å)	Ideal(Å)
2	A	501	8N6	C5-C4	-16.91	1.41	1.52
2	A	501	8N6	C2-S1	-12.40	1.66	1.76
2	A	501	8N6	C15-C17	-4.61	1.41	1.51
2	A	501	8N6	C6-C7	-4.28	1.41	1.51
2	A	501	8N6	C19-N18	3.59	1.42	1.34
2	A	501	8N6	C23-C20	-3.32	1.40	1.52

All (11) bond angle outliers are listed below:

Mol	Chain	Res	Type	Atoms	Z	Observed(°)	Ideal(°)
2	A	501	8N6	C4-N3-C2	-6.94	113.55	118.24
2	A	501	8N6	C5-C4-N3	6.49	117.65	112.01
2	A	501	8N6	C4-C5-S1	-4.30	102.22	105.90
2	A	501	8N6	O4-C4-N3	-3.99	120.11	124.94
2	A	501	8N6	C5-S1-C2	2.92	94.43	92.86
2	A	501	8N6	C20-C19-N18	-2.55	119.94	123.95
2	A	501	8N6	S1-C2-N3	2.40	112.08	110.40
2	A	501	8N6	C15-C17-N18	2.36	121.75	116.91
2	A	501	8N6	C6-C5-S1	-2.32	110.63	113.04
2	A	501	8N6	C21-C22-C17	2.17	121.09	118.86
2	A	501	8N6	C19-N18-C17	2.14	120.56	117.82

There are no chirality outliers.

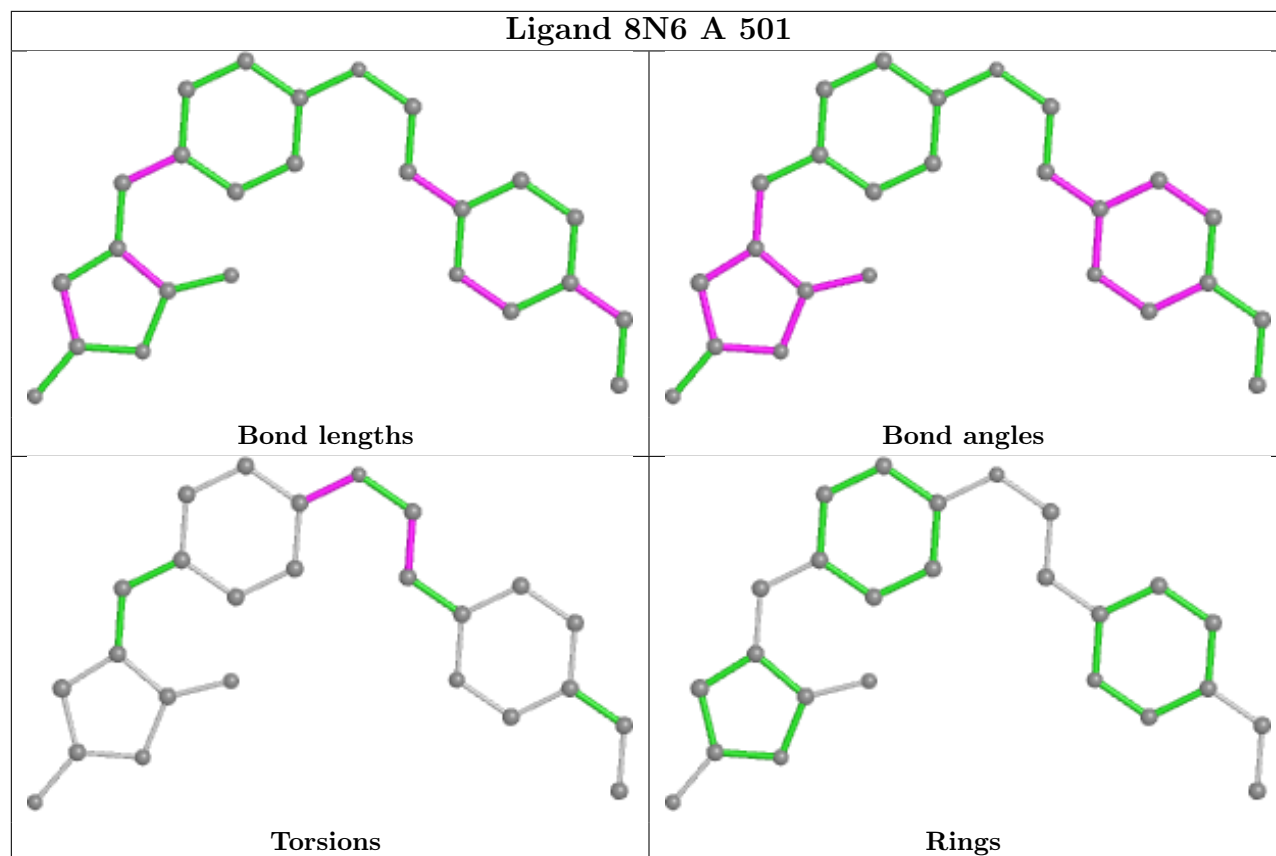
All (3) torsion outliers are listed below:

Mol	Chain	Res	Type	Atoms
2	A	501	8N6	O13-C14-C15-C17
2	A	501	8N6	C9-C10-O13-C14
2	A	501	8N6	C11-C10-O13-C14

There are no ring outliers.

No monomer is involved in short contacts.

The following is a two-dimensional graphical depiction of Mogul quality analysis of bond lengths, bond angles, torsion angles, and ring geometry for all instances of the Ligand of Interest. In addition, ligands with molecular weight > 250 and outliers as shown on the validation Tables will also be included. For torsion angles, if less than 5% of the Mogul distribution of torsion angles is within 10 degrees of the torsion angle in question, then that torsion angle is considered an outlier. Any bond that is central to one or more torsion angles identified as an outlier by Mogul will be highlighted in the graph. For rings, the root-mean-square deviation (RMSD) between the ring in question and similar rings identified by Mogul is calculated over all ring torsion angles. If the average RMSD is greater than 60 degrees and the minimal RMSD between the ring in question and any Mogul-identified rings is also greater than 60 degrees, then that ring is considered an outlier. The outliers are highlighted in purple. The color gray indicates Mogul did not find sufficient equivalents in the CSD to analyse the geometry.



## 5.7 Other polymers [\(i\)](#)

There are no such residues in this entry.

## 5.8 Polymer linkage issues [\(i\)](#)

There are no chain breaks in this entry.

## 6 Fit of model and data

### 6.1 Protein, DNA and RNA chains

In the following table, the column labelled ‘#RSRZ > 2’ contains the number (and percentage) of RSRZ outliers, followed by percent RSRZ outliers for the chain as percentile scores relative to all X-ray entries and entries of similar resolution. The OWAB column contains the minimum, median, 95<sup>th</sup> percentile and maximum values of the occupancy-weighted average B-factor per residue. The column labelled ‘Q < 0.9’ lists the number of (and percentage) of residues with an average occupancy less than 0.9.

Mol	Chain	Analysed	<RSRZ>	#RSRZ>2	OWAB(Å <sup>2</sup> )	Q<0.9
1	A	262/294 (89%)	0.26	12 (4%) 32 26	27, 38, 61, 111	0
1	B	257/294 (87%)	0.39	15 (5%) 23 18	26, 37, 63, 77	0
All	All	519/588 (88%)	0.32	27 (5%) 27 22	26, 37, 62, 111	0

All (27) RSRZ outliers are listed below:

Mol	Chain	Res	Type	RSRZ
1	A	242	THR	7.5
1	A	243	ASP	7.1
1	A	241	THR	6.7
1	B	469	LEU	6.6
1	B	466	HIS	5.6
1	B	458	LYS	4.5
1	B	474	LYS	4.3
1	A	240	LYS	4.1
1	A	239	GLY	4.0
1	B	470	GLN	3.8
1	B	257	MET	3.3
1	B	457	LYS	3.2
1	B	260	ASP	3.2
1	B	401	LEU	3.0
1	B	455	VAL	3.0
1	B	454	GLN	2.8
1	B	261	LYS	2.7
1	A	263	LYS	2.6
1	A	262	ILE	2.5
1	B	362	ASP	2.4
1	B	268	THR	2.4
1	A	273	GLN	2.2
1	A	445	ILE	2.2
1	A	287	PHE	2.2

*Continued on next page...*



*Continued from previous page...*

Mol	Chain	Res	Type	RSRZ
1	A	275	LYS	2.1
1	A	463	MET	2.1
1	B	388	ILE	2.1

## 6.2 Non-standard residues in protein, DNA, RNA chains [i](#)

There are no non-standard protein/DNA/RNA residues in this entry.

## 6.3 Carbohydrates [i](#)

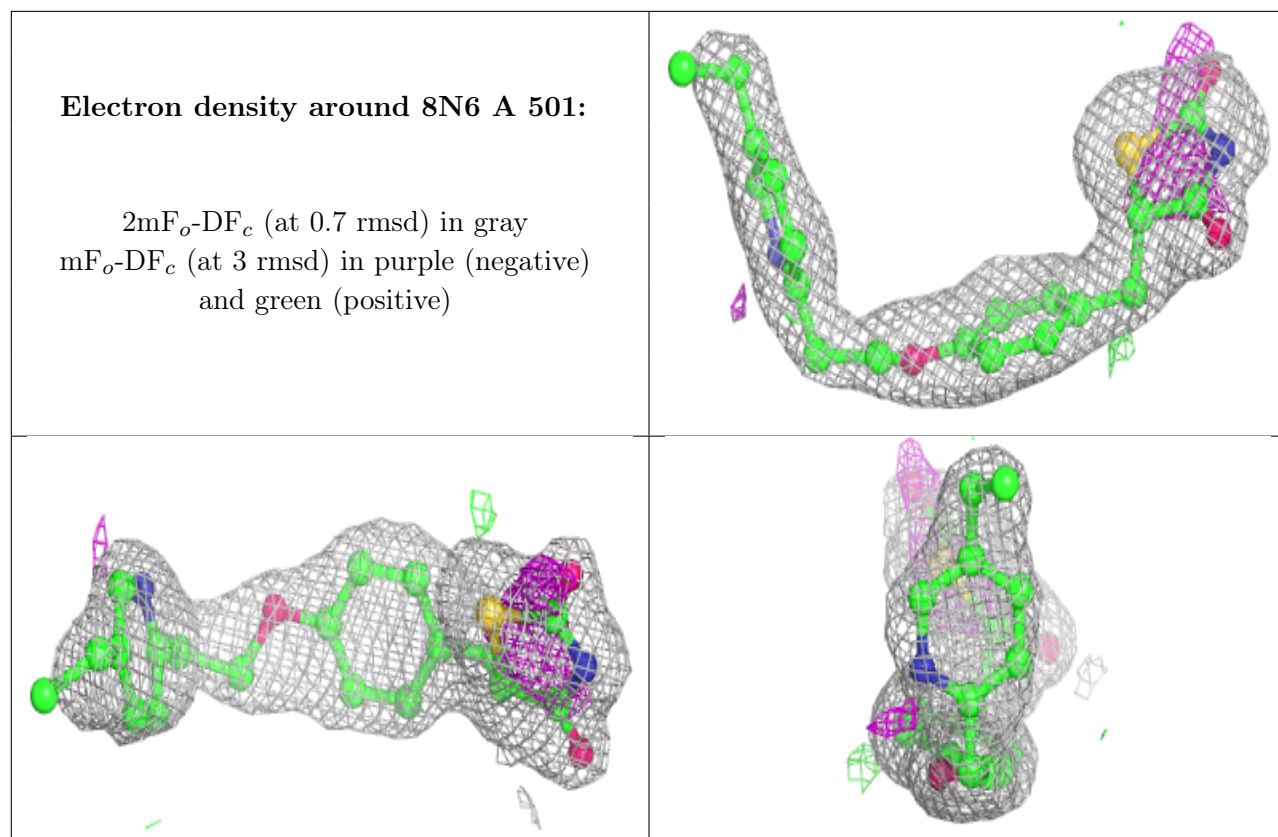
There are no monosaccharides in this entry.

## 6.4 Ligands [i](#)

In the following table, the Atoms column lists the number of modelled atoms in the group and the number defined in the chemical component dictionary. The B-factors column lists the minimum, median, 95<sup>th</sup> percentile and maximum values of B factors of atoms in the group. The column labelled 'Q< 0.9' lists the number of atoms with occupancy less than 0.9.

Mol	Type	Chain	Res	Atoms	RSCC	RSR	B-factors(Å <sup>2</sup> )	Q<0.9
2	8N6	A	501	25/25	0.89	0.14	42,47,50,54	0

The following is a graphical depiction of the model fit to experimental electron density of all instances of the Ligand of Interest. In addition, ligands with molecular weight > 250 and outliers as shown on the geometry validation Tables will also be included. Each fit is shown from different orientation to approximate a three-dimensional view.



## 6.5 Other polymers [i](#)

There are no such residues in this entry.