



Full wwPDB X-ray Structure Validation Report ⓘ

Nov 21, 2023 – 04:41 AM JST

PDB ID : 7EO8
Title : Crystal structure of SARS coronavirus main protease in complex with an inhibitor Shikonin
Authors : Zhang, Y.T.; Gao, H.X.; Zhou, H.; Zhong, F.L.; Hu, X.H.; Zhou, X.L.; Lin, C.; Wang, Q.S.; Li, J.; Zhang, J.
Deposited on : 2021-04-21
Resolution : 2.28 Å(reported)

This is a Full wwPDB X-ray Structure Validation Report for a publicly released PDB entry.

We welcome your comments at validation@mail.wwpdb.org

A user guide is available at

<https://www.wwpdb.org/validation/2017/XrayValidationReportHelp>

with specific help available everywhere you see the ⓘ symbol.

The types of validation reports are described at

<http://www.wwpdb.org/validation/2017/FAQs#types>.

The following versions of software and data (see [references ⓘ](#)) were used in the production of this report:

MolProbity : 4.02b-467
Mogul : 1.8.5 (274361), CSD as541be (2020)
Xtriage (Phenix) : 1.13
EDS : 2.36
buster-report : 1.1.7 (2018)
Percentile statistics : 20191225.v01 (using entries in the PDB archive December 25th 2019)
Refmac : 5.8.0158
CCP4 : 7.0.044 (Gargrove)
Ideal geometry (proteins) : Engh & Huber (2001)
Ideal geometry (DNA, RNA) : Parkinson et al. (1996)
Validation Pipeline (wwPDB-VP) : 2.36

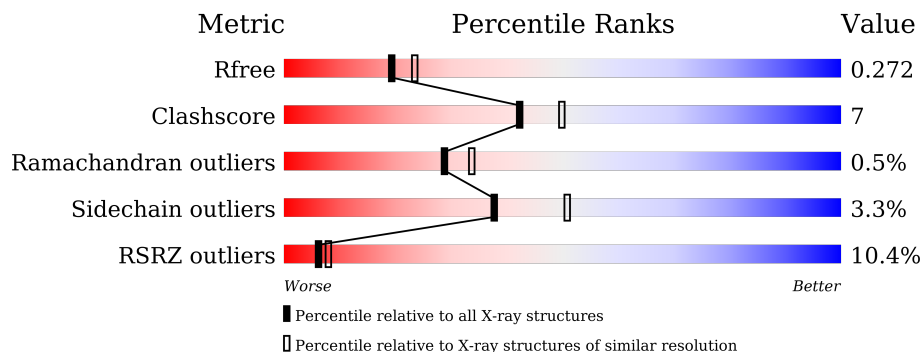
1 Overall quality at a glance

The following experimental techniques were used to determine the structure:

X-RAY DIFFRACTION

The reported resolution of this entry is 2.28 Å.

Percentile scores (ranging between 0-100) for global validation metrics of the entry are shown in the following graphic. The table shows the number of entries on which the scores are based.



Metric	Whole archive (#Entries)	Similar resolution (#Entries, resolution range(Å))
R_{free}	130704	6980 (2.30-2.26)
Clashscore	141614	7711 (2.30-2.26)
Ramachandran outliers	138981	7597 (2.30-2.26)
Sidechain outliers	138945	7598 (2.30-2.26)
RSRZ outliers	127900	6849 (2.30-2.26)

The table below summarises the geometric issues observed across the polymeric chains and their fit to the electron density. The red, orange, yellow and green segments of the lower bar indicate the fraction of residues that contain outliers for ≥ 3 , 2, 1 and 0 types of geometric quality criteria respectively. A grey segment represents the fraction of residues that are not modelled. The numeric value for each fraction is indicated below the corresponding segment, with a dot representing fractions $\leq 5\%$. The upper red bar (where present) indicates the fraction of residues that have poor fit to the electron density. The numeric value is given above the bar.

Mol	Chain	Length	Quality of chain
1	A	306	 5% 78% 17% ..
1	B	306	 15% 84% 13% ..

2 Entry composition [i](#)

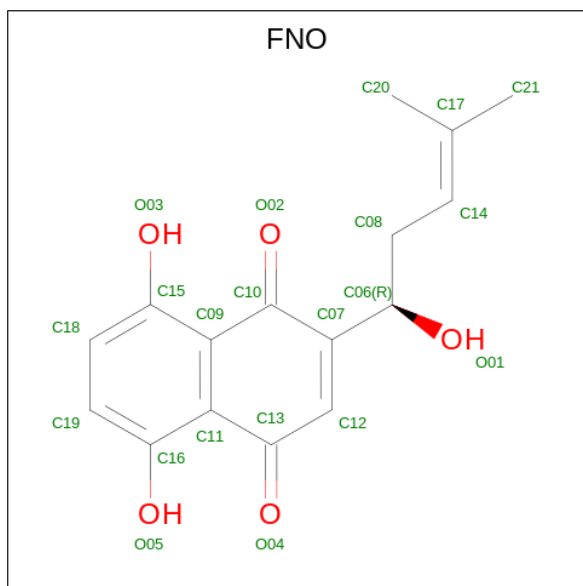
There are 2 unique types of molecules in this entry. The entry contains 4411 atoms, of which 0 are hydrogens and 0 are deuteriums.

In the tables below, the ZeroOcc column contains the number of atoms modelled with zero occupancy, the AltConf column contains the number of residues with at least one atom in alternate conformation and the Trace column contains the number of residues modelled with at most 2 atoms.

- Molecule 1 is a protein called 3C-like proteinase.

Mol	Chain	Residues	Atoms					ZeroOcc	AltConf	Trace
			Total	C	N	O	S			
1	A	298	Total 2181	C 1381	N 372	O 409	S 19	0	0	0
1	B	298	Total 2209	C 1398	N 377	O 414	S 20	0	0	0

- Molecule 2 is 2-[(1R)-4-methyl-1-oxidanyl-pent-3-enyl]-5,8-bis(oxidanyl)naphthalene-1,4-dione (three-letter code: FNO) (formula: C₁₆H₁₆O₅) (labeled as "Ligand of Interest" by depositor).

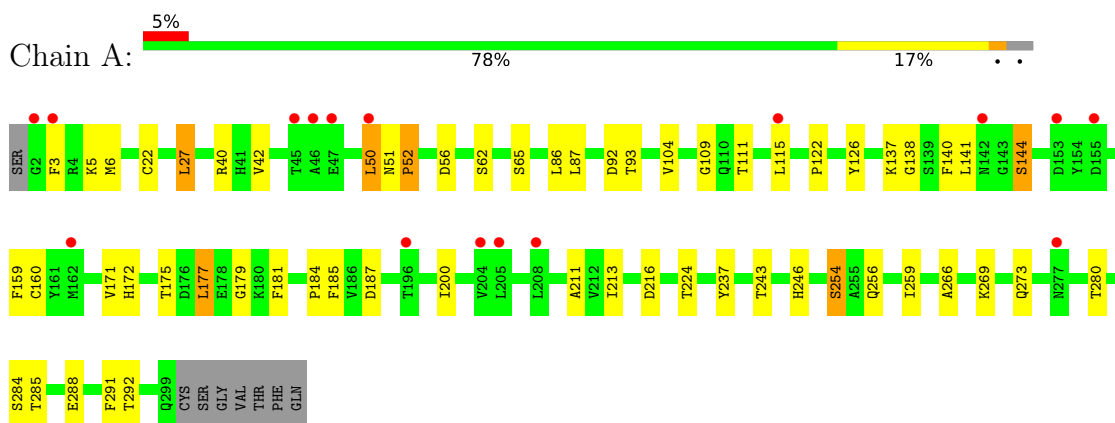


Mol	Chain	Residues	Atoms			ZeroOcc	AltConf
			Total	C	O		
2	A	1	Total 21	C 16	O 5	0	0

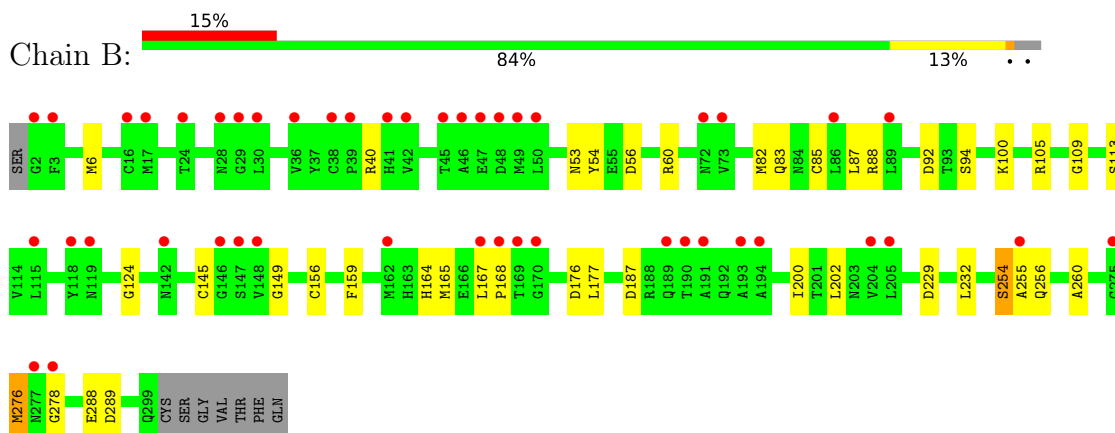
3 Residue-property plots [i](#)

These plots are drawn for all protein, RNA, DNA and oligosaccharide chains in the entry. The first graphic for a chain summarises the proportions of the various outlier classes displayed in the second graphic. The second graphic shows the sequence view annotated by issues in geometry and electron density. Residues are color-coded according to the number of geometric quality criteria for which they contain at least one outlier: green = 0, yellow = 1, orange = 2 and red = 3 or more. A red dot above a residue indicates a poor fit to the electron density ($RSRZ > 2$). Stretches of 2 or more consecutive residues without any outlier are shown as a green connector. Residues present in the sample, but not in the model, are shown in grey.

- Molecule 1: 3C-like proteinase



- Molecule 1: 3C-like proteinase



4 Data and refinement statistics

Property	Value	Source
Space group	P 1	Depositor
Cell constants a, b, c, α , β , γ	55.34Å 60.62Å 68.30Å 90.94° 102.70° 108.62°	Depositor
Resolution (Å)	27.33 – 2.28 27.33 – 2.28	Depositor EDS
% Data completeness (in resolution range)	94.1 (27.33-2.28) 94.1 (27.33-2.28)	Depositor EDS
R_{merge}	0.05	Depositor
R_{sym}	(Not available)	Depositor
$\langle I/\sigma(I) \rangle$ ¹	2.41 (at 2.29Å)	Xtrriage
Refinement program	PHENIX 1.12_2829, PHENIX 1.12_2829	Depositor
R, R_{free}	0.227 , 0.272 0.227 , 0.272	Depositor DCC
R_{free} test set	1711 reflections (4.89%)	wwPDB-VP
Wilson B-factor (Å ²)	45.2	Xtrriage
Anisotropy	0.501	Xtrriage
Bulk solvent k_{sol} (e/Å ³), B_{sol} (Å ²)	0.33 , 50.1	EDS
L-test for twinning ²	$\langle L \rangle = 0.51$, $\langle L^2 \rangle = 0.34$	Xtrriage
Estimated twinning fraction	No twinning to report.	Xtrriage
F_o, F_c correlation	0.94	EDS
Total number of atoms	4411	wwPDB-VP
Average B, all atoms (Å ²)	59.0	wwPDB-VP

Xtrriage's analysis on translational NCS is as follows: *The largest off-origin peak in the Patterson function is 6.87% of the height of the origin peak. No significant pseudotranslation is detected.*

¹Intensities estimated from amplitudes.

²Theoretical values of $\langle |L| \rangle$, $\langle L^2 \rangle$ for acentric reflections are 0.5, 0.333 respectively for untwinned datasets, and 0.375, 0.2 for perfectly twinned datasets.

5 Model quality i

5.1 Standard geometry i

Bond lengths and bond angles in the following residue types are not validated in this section: FNO

The Z score for a bond length (or angle) is the number of standard deviations the observed value is removed from the expected value. A bond length (or angle) with $|Z| > 5$ is considered an outlier worth inspection. RMSZ is the root-mean-square of all Z scores of the bond lengths (or angles).

Mol	Chain	Bond lengths		Bond angles	
		RMSZ	# Z >5	RMSZ	# Z >5
1	A	0.43	0/2230	0.61	2/3046 (0.1%)
1	B	0.42	0/2258	0.60	0/3078
All	All	0.42	0/4488	0.60	2/6124 (0.0%)

There are no bond length outliers.

All (2) bond angle outliers are listed below:

Mol	Chain	Res	Type	Atoms	Z	Observed(°)	Ideal(°)
1	A	177	LEU	CA-CB-CG	-10.44	91.29	115.30
1	A	52	PRO	N-CA-CB	6.14	110.67	103.30

There are no chirality outliers.

There are no planarity outliers.

5.2 Too-close contacts i

In the following table, the Non-H and H(model) columns list the number of non-hydrogen atoms and hydrogen atoms in the chain respectively. The H(added) column lists the number of hydrogen atoms added and optimized by MolProbity. The Clashes column lists the number of clashes within the asymmetric unit, whereas Symm-Clashes lists symmetry-related clashes.

Mol	Chain	Non-H	H(model)	H(added)	Clashes	Symm-Clashes
1	A	2181	0	2021	39	0
1	B	2209	0	2081	22	0
2	A	21	0	0	1	0
All	All	4411	0	4102	59	0

The all-atom clashscore is defined as the number of clashes found per 1000 atoms (including hydrogen atoms). The all-atom clashscore for this structure is 7.

All (59) close contacts within the same asymmetric unit are listed below, sorted by their clash magnitude.

Atom-1	Atom-2	Interatomic distance (Å)	Clash overlap (Å)
1:A:159:PHE:HB3	1:A:177:LEU:HD13	1.45	0.95
1:A:50:LEU:O	1:A:52:PRO:N	2.24	0.70
1:A:159:PHE:HB3	1:A:177:LEU:CD1	2.22	0.69
1:B:105:ARG:NH1	1:B:176:ASP:OD2	2.27	0.66
1:B:109:GLY:HA2	1:B:200:ILE:HD13	1.78	0.66
1:B:167:LEU:HB3	1:B:168:PRO:HD2	1.79	0.64
1:A:159:PHE:CB	1:A:177:LEU:HD13	2.24	0.63
1:A:115:LEU:HD11	1:A:122:PRO:HB3	1.80	0.63
1:A:5:LYS:NZ	1:A:288:GLU:OE2	2.31	0.59
1:A:269:LYS:O	1:A:273:GLN:HG3	2.03	0.59
1:A:138:GLY:H	1:A:172:HIS:HD2	1.51	0.58
1:B:159:PHE:HB3	1:B:177:LEU:HD13	1.85	0.57
1:B:40:ARG:HD2	1:B:82:MET:HE1	1.88	0.54
1:A:137:LYS:HA	1:A:171:VAL:HG23	1.90	0.53
1:A:27:LEU:HD21	1:A:42:VAL:HB	1.90	0.53
1:A:175:THR:HG22	1:A:181:PHE:HA	1.91	0.52
1:A:62:SER:O	1:A:65:SER:OG	2.27	0.52
1:B:83:GLN:OE1	1:B:88:ARG:HD2	2.10	0.52
1:A:211:ALA:HB1	1:A:216:ASP:HB3	1.91	0.52
1:A:254:SER:HB2	1:A:259:ILE:O	2.11	0.51
2:A:401:FNO:O05	2:A:401:FNO:O04	2.27	0.51
1:A:288:GLU:HG2	1:A:291:PHE:CE2	2.45	0.50
1:A:92:ASP:OD1	1:A:93:THR:HG23	2.12	0.50
1:A:280:THR:HG22	1:A:285:THR:HG22	1.94	0.48
1:B:40:ARG:HG3	1:B:54:TYR:CE1	2.49	0.47
1:A:140:PHE:HD2	1:A:172:HIS:CG	2.31	0.47
1:B:56:ASP:O	1:B:60:ARG:HG3	2.14	0.47
1:A:6:MET:HE3	1:B:124:GLY:HA3	1.95	0.47
1:A:187:ASP:OD1	1:A:187:ASP:N	2.48	0.47
1:A:224:THR:HA	1:A:266:ALA:HB2	1.95	0.47
1:A:288:GLU:HG2	1:A:291:PHE:HE2	1.78	0.47
1:A:50:LEU:C	1:A:50:LEU:CD2	2.84	0.46
1:A:109:GLY:HA2	1:A:200:ILE:HD13	1.98	0.46
1:A:40:ARG:HA	1:A:87:LEU:HG	1.99	0.45
1:B:254:SER:O	1:B:256:GLN:N	2.49	0.45
1:A:5:LYS:HG3	1:A:291:PHE:CE1	2.51	0.45
1:A:50:LEU:C	1:A:50:LEU:HD23	2.36	0.44
1:A:126:TYR:HD1	1:B:6:MET:HG2	1.82	0.44
1:B:229:ASP:HA	1:B:232:LEU:HD12	1.99	0.44
1:A:22:CYS:HB3	1:A:42:VAL:O	2.17	0.44

Continued on next page...

Continued from previous page...

Atom-1	Atom-2	Interatomic distance (Å)	Clash overlap (Å)
1:B:100:LYS:HD3	1:B:156:CYS:HB2	1.99	0.43
1:A:111:THR:HG23	1:A:292:THR:HG23	1.99	0.43
1:A:243:THR:O	1:A:246:HIS:HB2	2.19	0.43
1:B:187:ASP:OD1	1:B:187:ASP:N	2.43	0.43
1:B:40:ARG:HA	1:B:87:LEU:HG	2.01	0.42
1:A:237:TYR:OH	1:A:273:GLN:HA	2.19	0.42
1:B:165:MET:HB3	1:B:165:MET:HE2	1.87	0.42
1:A:141:LEU:O	1:A:144:SER:HB3	2.19	0.42
1:B:276:MET:O	1:B:278:GLY:N	2.52	0.42
1:B:113:SER:O	1:B:149:GLY:HA2	2.20	0.42
1:A:86:LEU:HG	1:A:179:GLY:HA2	2.01	0.41
1:A:126:TYR:CD1	1:B:6:MET:HG2	2.54	0.41
1:A:184:PRO:HD2	1:A:185:PHE:CE2	2.55	0.41
1:A:104:VAL:O	1:A:160:CYS:HA	2.20	0.41
1:B:164:HIS:HB3	1:B:165:MET:HG3	2.02	0.41
1:A:213:ILE:HD11	1:A:256:GLN:HG2	2.04	0.40
1:B:40:ARG:HD3	1:B:85:CYS:HA	2.04	0.40
1:B:254:SER:O	1:B:255:ALA:HB3	2.20	0.40
1:A:171:VAL:HG22	1:A:172:HIS:H	1.87	0.40

There are no symmetry-related clashes.

5.3 Torsion angles [i](#)

5.3.1 Protein backbone [i](#)

In the following table, the Percentiles column shows the percent Ramachandran outliers of the chain as a percentile score with respect to all X-ray entries followed by that with respect to entries of similar resolution.

The Analysed column shows the number of residues for which the backbone conformation was analysed, and the total number of residues.

Mol	Chain	Analysed	Favoured	Allowed	Outliers	Percentiles	
1	A	296/306 (97%)	278 (94%)	16 (5%)	2 (1%)	22	25
1	B	296/306 (97%)	277 (94%)	18 (6%)	1 (0%)	41	49
All	All	592/612 (97%)	555 (94%)	34 (6%)	3 (0%)	29	34

All (3) Ramachandran outliers are listed below:

Mol	Chain	Res	Type
1	A	51	ASN
1	A	50	LEU
1	B	260	ALA

5.3.2 Protein sidechains [i](#)

In the following table, the Percentiles column shows the percent sidechain outliers of the chain as a percentile score with respect to all X-ray entries followed by that with respect to entries of similar resolution.

The Analysed column shows the number of residues for which the sidechain conformation was analysed, and the total number of residues.

Mol	Chain	Analysed	Rotameric	Outliers	Percentiles
1	A	221/263 (84%)	215 (97%)	6 (3%)	44 59
1	B	228/263 (87%)	219 (96%)	9 (4%)	32 43
All	All	449/526 (85%)	434 (97%)	15 (3%)	38 51

All (15) residues with a non-rotameric sidechain are listed below:

Mol	Chain	Res	Type
1	A	3	PHE
1	A	27	LEU
1	A	56	ASP
1	A	144	SER
1	A	254	SER
1	A	284	SER
1	B	53	ASN
1	B	92	ASP
1	B	94	SER
1	B	145	CYS
1	B	202	LEU
1	B	254	SER
1	B	276	MET
1	B	288	GLU
1	B	289	ASP

Sometimes sidechains can be flipped to improve hydrogen bonding and reduce clashes. All (2) such sidechains are listed below:

Mol	Chain	Res	Type
1	A	172	HIS

Continued on next page...

Continued from previous page...

Mol	Chain	Res	Type
1	B	53	ASN

5.3.3 RNA [i](#)

There are no RNA molecules in this entry.

5.4 Non-standard residues in protein, DNA, RNA chains [i](#)

There are no non-standard protein/DNA/RNA residues in this entry.

5.5 Carbohydrates [i](#)

There are no monosaccharides in this entry.

5.6 Ligand geometry [i](#)

1 ligand is modelled in this entry.

In the following table, the Counts columns list the number of bonds (or angles) for which Mogul statistics could be retrieved, the number of bonds (or angles) that are observed in the model and the number of bonds (or angles) that are defined in the Chemical Component Dictionary. The Link column lists molecule types, if any, to which the group is linked. The Z score for a bond length (or angle) is the number of standard deviations the observed value is removed from the expected value. A bond length (or angle) with $|Z| > 2$ is considered an outlier worth inspection. RMSZ is the root-mean-square of all Z scores of the bond lengths (or angles).

Mol	Type	Chain	Res	Link	Bond lengths			Bond angles		
					Counts	RMSZ	# Z > 2	Counts	RMSZ	# Z > 2
2	FNO	A	401	-	21,22,22	3.34	9 (42%)	29,32,32	2.16	7 (24%)

In the following table, the Chirals column lists the number of chiral outliers, the number of chiral centers analysed, the number of these observed in the model and the number defined in the Chemical Component Dictionary. Similar counts are reported in the Torsion and Rings columns. '-' means no outliers of that kind were identified.

Mol	Type	Chain	Res	Link	Chirals	Torsions	Rings
2	FNO	A	401	-	-	5/8/25/25	0/2/2/2

All (9) bond length outliers are listed below:

Mol	Chain	Res	Type	Atoms	Z	Observed(Å)	Ideal(Å)
2	A	401	FNO	O02-C10	8.56	1.41	1.23
2	A	401	FNO	O04-C13	7.85	1.41	1.24
2	A	401	FNO	C14-C17	7.21	1.53	1.32
2	A	401	FNO	C12-C07	3.26	1.41	1.35
2	A	401	FNO	C07-C10	-2.50	1.40	1.46
2	A	401	FNO	C12-C13	-2.15	1.40	1.44
2	A	401	FNO	O05-C16	2.09	1.40	1.36
2	A	401	FNO	O03-C15	2.07	1.40	1.36
2	A	401	FNO	C11-C09	-2.03	1.36	1.41

All (7) bond angle outliers are listed below:

Mol	Chain	Res	Type	Atoms	Z	Observed(°)	Ideal(°)
2	A	401	FNO	C08-C14-C17	-7.54	110.83	128.33
2	A	401	FNO	C20-C17-C14	-3.93	111.28	122.65
2	A	401	FNO	C21-C17-C14	-3.89	111.40	122.65
2	A	401	FNO	O02-C10-C07	-3.11	119.05	122.56
2	A	401	FNO	O04-C13-C11	-2.57	117.73	122.11
2	A	401	FNO	C16-C11-C13	-2.42	118.00	121.89
2	A	401	FNO	C09-C10-C07	2.22	119.95	116.70

There are no chirality outliers.

All (5) torsion outliers are listed below:

Mol	Chain	Res	Type	Atoms
2	A	401	FNO	C07-C06-C08-C14
2	A	401	FNO	O01-C06-C08-C14
2	A	401	FNO	C08-C14-C17-C21
2	A	401	FNO	C08-C14-C17-C20
2	A	401	FNO	C06-C08-C14-C17

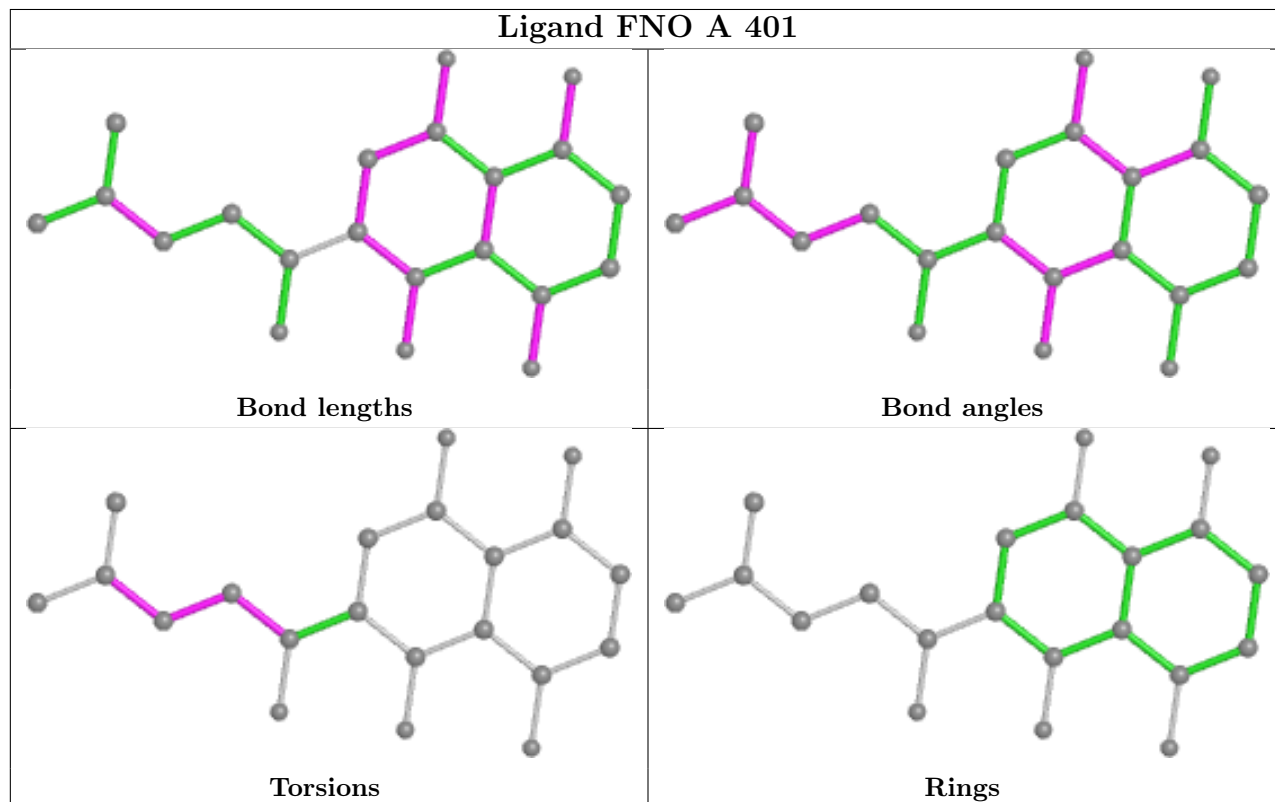
There are no ring outliers.

1 monomer is involved in 1 short contact:

Mol	Chain	Res	Type	Clashes	Symm-Clashes
2	A	401	FNO	1	0

The following is a two-dimensional graphical depiction of Mogul quality analysis of bond lengths, bond angles, torsion angles, and ring geometry for all instances of the Ligand of Interest. In addition, ligands with molecular weight > 250 and outliers as shown on the validation Tables will also be included. For torsion angles, if less than 5% of the Mogul distribution of torsion angles is within 10 degrees of the torsion angle in question, then that torsion angle is considered an outlier.

Any bond that is central to one or more torsion angles identified as an outlier by Mogul will be highlighted in the graph. For rings, the root-mean-square deviation (RMSD) between the ring in question and similar rings identified by Mogul is calculated over all ring torsion angles. If the average RMSD is greater than 60 degrees and the minimal RMSD between the ring in question and any Mogul-identified rings is also greater than 60 degrees, then that ring is considered an outlier. The outliers are highlighted in purple. The color gray indicates Mogul did not find sufficient equivalents in the CSD to analyse the geometry.



5.7 Other polymers [i](#)

There are no such residues in this entry.

5.8 Polymer linkage issues [i](#)

There are no chain breaks in this entry.

6 Fit of model and data

6.1 Protein, DNA and RNA chains

In the following table, the column labelled ‘#RSRZ > 2’ contains the number (and percentage) of RSRZ outliers, followed by percent RSRZ outliers for the chain as percentile scores relative to all X-ray entries and entries of similar resolution. The OWAB column contains the minimum, median, 95th percentile and maximum values of the occupancy-weighted average B-factor per residue. The column labelled ‘Q < 0.9’ lists the number of (and percentage) of residues with an average occupancy less than 0.9.

Mol	Chain	Analysed	<RSRZ>	#RSRZ>2	OWAB(Å ²)	Q<0.9
1	A	298/306 (97%)	0.43	16 (5%) 25 31	37, 60, 82, 92	0
1	B	298/306 (97%)	0.71	46 (15%) 2 2	38, 57, 77, 98	0
All	All	596/612 (97%)	0.57	62 (10%) 6 8	37, 59, 80, 98	0

All (62) RSRZ outliers are listed below:

Mol	Chain	Res	Type	RSRZ
1	B	46	ALA	7.1
1	B	49	MET	5.5
1	B	277	ASN	5.1
1	A	46	ALA	5.1
1	B	38	CYS	4.7
1	A	142	ASN	4.6
1	B	29	GLY	4.3
1	B	191	ALA	4.1
1	A	3	PHE	4.1
1	B	47	GLU	3.9
1	B	193	ALA	3.7
1	B	146	GLY	3.7
1	B	194	ALA	3.7
1	B	142	ASN	3.6
1	B	30	LEU	3.5
1	B	45	THR	3.5
1	B	162	MET	3.5
1	A	2	GLY	3.4
1	B	119	ASN	3.3
1	A	277	ASN	3.3
1	B	72	ASN	3.3
1	B	3	PHE	3.1
1	A	47	GLU	3.1
1	A	196	THR	3.1

Continued on next page...

Continued from previous page...

Mol	Chain	Res	Type	RSRZ
1	B	73	VAL	3.1
1	B	16	CYS	3.1
1	B	39	PRO	3.1
1	B	255	ALA	3.1
1	A	50	LEU	3.0
1	A	162	MET	3.0
1	B	189	GLN	2.9
1	A	153	ASP	2.9
1	B	41	HIS	2.9
1	B	36	VAL	2.8
1	B	148	VAL	2.8
1	B	2	GLY	2.8
1	B	190	THR	2.8
1	B	50	LEU	2.7
1	B	168	PRO	2.6
1	B	118	TYR	2.6
1	B	275	GLY	2.6
1	A	208	LEU	2.6
1	B	169	THR	2.6
1	A	45	THR	2.5
1	B	204	VAL	2.5
1	B	147	SER	2.4
1	B	17	MET	2.4
1	B	42	VAL	2.4
1	B	48	ASP	2.4
1	B	278	GLY	2.3
1	A	115	LEU	2.3
1	B	167	LEU	2.3
1	A	204	VAL	2.3
1	B	170	GLY	2.2
1	A	205	LEU	2.2
1	A	155	ASP	2.2
1	B	28	ASN	2.2
1	B	86	LEU	2.2
1	B	205	LEU	2.1
1	B	24	THR	2.1
1	B	89	LEU	2.0
1	B	115	LEU	2.0

6.2 Non-standard residues in protein, DNA, RNA chains

There are no non-standard protein/DNA/RNA residues in this entry.

6.3 Carbohydrates [i](#)

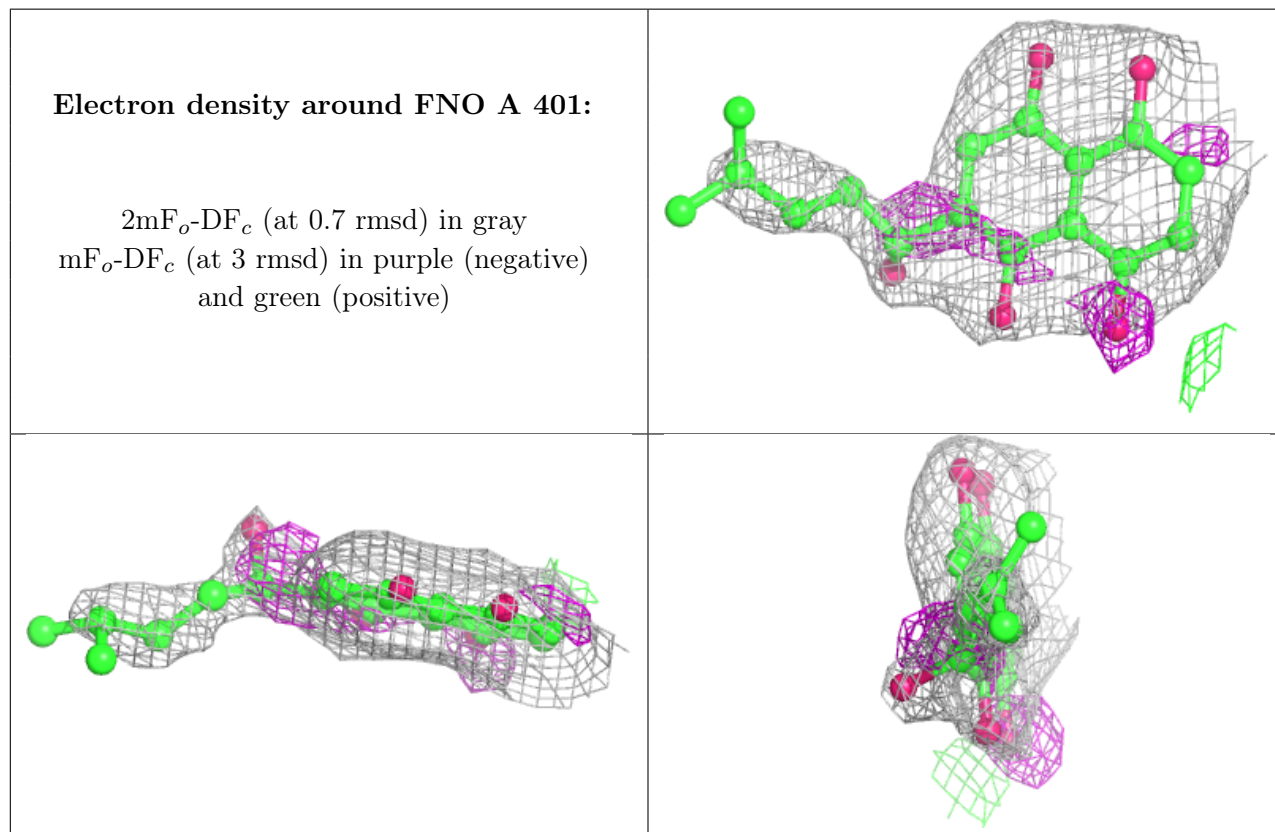
There are no monosaccharides in this entry.

6.4 Ligands [i](#)

In the following table, the Atoms column lists the number of modelled atoms in the group and the number defined in the chemical component dictionary. The B-factors column lists the minimum, median, 95th percentile and maximum values of B factors of atoms in the group. The column labelled 'Q< 0.9' lists the number of atoms with occupancy less than 0.9.

Mol	Type	Chain	Res	Atoms	RSCC	RSR	B-factors(Å ²)	Q<0.9
2	FNO	A	401	21/21	0.84	0.28	55,65,72,75	0

The following is a graphical depiction of the model fit to experimental electron density of all instances of the Ligand of Interest. In addition, ligands with molecular weight > 250 and outliers as shown on the geometry validation Tables will also be included. Each fit is shown from different orientation to approximate a three-dimensional view.



6.5 Other polymers [i](#)

There are no such residues in this entry.