



Full wwPDB X-ray Structure Validation Report ⓘ

Jun 17, 2024 – 02:29 AM EDT

PDB ID : 3EFB
Title : Crystal Structure of Probable sor Operon Regulator from *Shigella flexneri*
Authors : Kim, Y.; Evdokimova, E.; Kudritska, M.; Savchenko, A.; Edwards, A.; Anderson, W.F.; Joachimiak, A.; Center for Structural Genomics of Infectious Diseases (CSGID)
Deposited on : 2008-09-08
Resolution : 2.00 Å(reported)

This is a Full wwPDB X-ray Structure Validation Report for a publicly released PDB entry.

We welcome your comments at validation@mail.wwpdb.org

A user guide is available at

<https://www.wwpdb.org/validation/2017/XrayValidationReportHelp>

with specific help available everywhere you see the ⓘ symbol.

The types of validation reports are described at

<http://www.wwpdb.org/validation/2017/FAQs#types>.

The following versions of software and data (see [references ⓘ](#)) were used in the production of this report:

MolProbity : 4.02b-467
Mogul : 2022.3.0, CSD as543be (2022)
Xtriage (Phenix) : 1.20.1
EDS : 2.37.1
Percentile statistics : 20191225.v01 (using entries in the PDB archive December 25th 2019)
Refmac : 5.8.0158
CCP4 : 7.0.044 (Gargrove)
Ideal geometry (proteins) : Engh & Huber (2001)
Ideal geometry (DNA, RNA) : Parkinson et al. (1996)
Validation Pipeline (wwPDB-VP) : 2.37.1

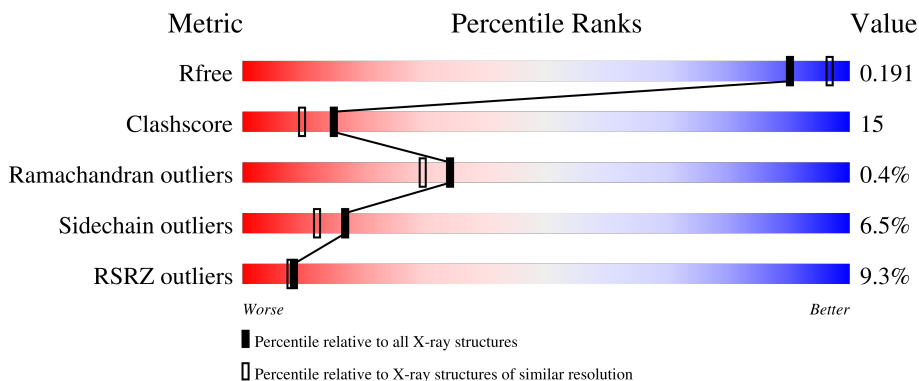
1 Overall quality at a glance i

The following experimental techniques were used to determine the structure:

X-RAY DIFFRACTION

The reported resolution of this entry is 2.00 Å.

Percentile scores (ranging between 0-100) for global validation metrics of the entry are shown in the following graphic. The table shows the number of entries on which the scores are based.



Metric	Whole archive (#Entries)	Similar resolution (#Entries, resolution range(Å))
R_{free}	130704	8085 (2.00-2.00)
Clashscore	141614	9178 (2.00-2.00)
Ramachandran outliers	138981	9054 (2.00-2.00)
Sidechain outliers	138945	9053 (2.00-2.00)
RSRZ outliers	127900	7900 (2.00-2.00)

The table below summarises the geometric issues observed across the polymeric chains and their fit to the electron density. The red, orange, yellow and green segments of the lower bar indicate the fraction of residues that contain outliers for ≥ 3 , 2, 1 and 0 types of geometric quality criteria respectively. A grey segment represents the fraction of residues that are not modelled. The numeric value for each fraction is indicated below the corresponding segment, with a dot representing fractions $\leq 5\%$. The upper red bar (where present) indicates the fraction of residues that have poor fit to the electron density. The numeric value is given above the bar.

Mol	Chain	Length	Quality of chain
1	A	266	 8% 69% 22% 8%
1	B	266	 6% 65% 21% 12%
1	C	266	 6% 68% 17% 12%
1	D	266	 13% 59% 30% 7%

The following table lists non-polymeric compounds, carbohydrate monomers and non-standard

residues in protein, DNA, RNA chains that are outliers for geometric or electron-density-fit criteria:

Mol	Type	Chain	Res	Chirality	Geometry	Clashes	Electron density
2	ACY	B	266	-	-	X	-

2 Entry composition

There are 3 unique types of molecules in this entry. The entry contains 8130 atoms, of which 0 are hydrogens and 0 are deuteriums.

In the tables below, the ZeroOcc column contains the number of atoms modelled with zero occupancy, the AltConf column contains the number of residues with at least one atom in alternate conformation and the Trace column contains the number of residues modelled with at most 2 atoms.

- Molecule 1 is a protein called Probable sor-operon regulator.

Mol	Chain	Residues	Atoms						ZeroOcc	AltConf	Trace
			Total	C	N	O	S	Se			
1	A	246	2005	1256	348	390	3	8	0	14	0
1	B	235	1845	1170	318	347	3	7	0	3	0
1	C	233	1841	1162	319	350	3	7	9	6	0
1	D	248	1936	1221	332	373	3	7	0	3	0

There are 4 discrepancies between the modelled and reference sequences:

Chain	Residue	Modelled	Actual	Comment	Reference
A	0	GLY	-	EXPRESSION TAG	UNP Q83PA8
B	0	GLY	-	EXPRESSION TAG	UNP Q83PA8
C	0	GLY	-	EXPRESSION TAG	UNP Q83PA8
D	0	GLY	-	EXPRESSION TAG	UNP Q83PA8

- Molecule 2 is ACETIC ACID (three-letter code: ACY) (formula: C₂H₄O₂).



Mol	Chain	Residues	Atoms		ZeroOcc	AltConf
2	B	1	Total	C O	0	0
			4	2 2		

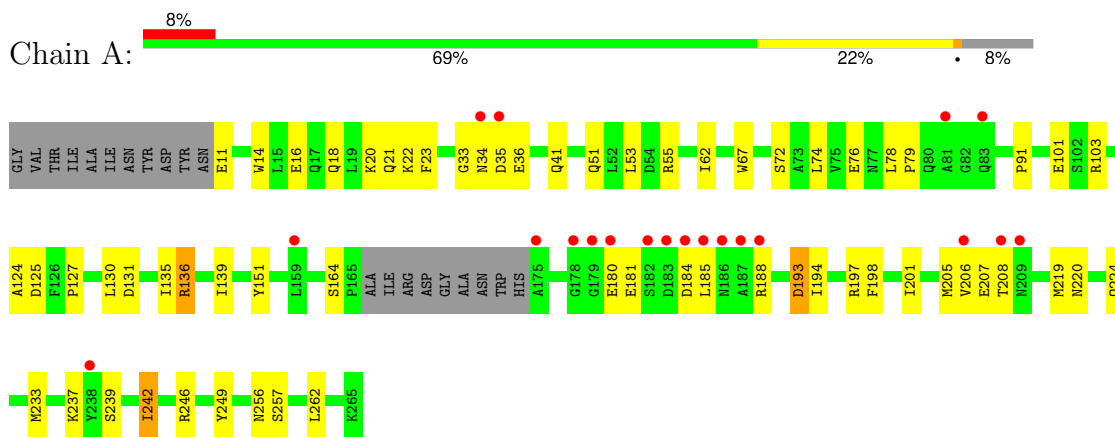
- Molecule 3 is water.

Mol	Chain	Residues	Atoms		ZeroOcc	AltConf
3	A	154	Total	O	0	0
			154	154		
3	B	118	Total	O	0	0
			118	118		
3	C	129	Total	O	0	0
			129	129		
3	D	98	Total	O	0	0
			98	98		

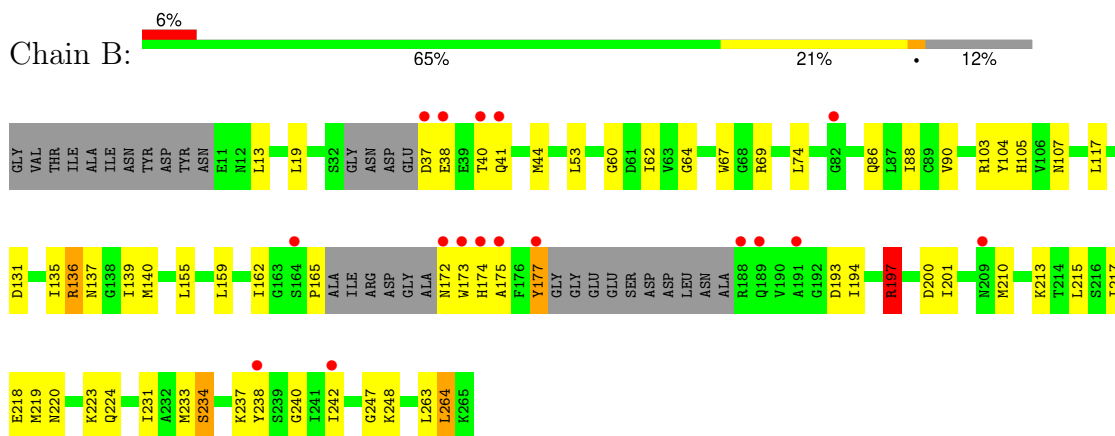
3 Residue-property plots [i](#)

These plots are drawn for all protein, RNA, DNA and oligosaccharide chains in the entry. The first graphic for a chain summarises the proportions of the various outlier classes displayed in the second graphic. The second graphic shows the sequence view annotated by issues in geometry and electron density. Residues are color-coded according to the number of geometric quality criteria for which they contain at least one outlier: green = 0, yellow = 1, orange = 2 and red = 3 or more. A red dot above a residue indicates a poor fit to the electron density ($RSRZ > 2$). Stretches of 2 or more consecutive residues without any outlier are shown as a green connector. Residues present in the sample, but not in the model, are shown in grey.

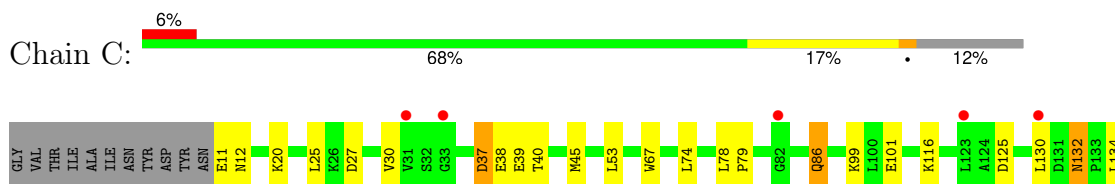
- Molecule 1: Probable sor-operon regulator

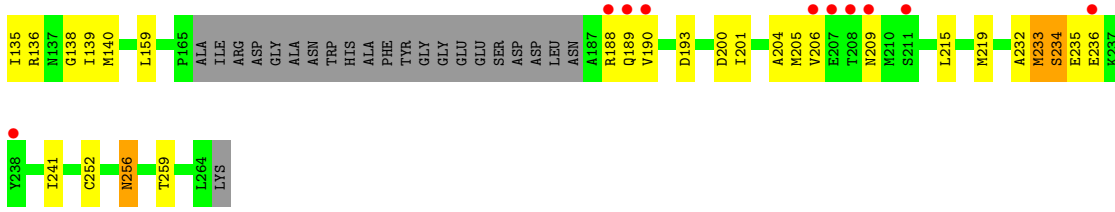


- Molecule 1: Probable sor-operon regulator

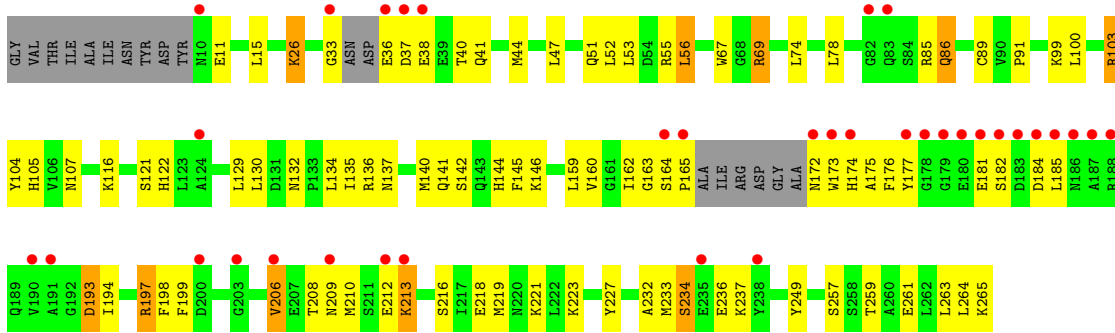


- Molecule 1: Probable sor-operon regulator





● Molecule 1: Probable sor-operon regulator



4 Data and refinement statistics

Property	Value	Source
Space group	P 21 21 2	Depositor
Cell constants a, b, c, α , β , γ	69.54Å 238.46Å 53.76Å 90.00° 90.00° 90.00°	Depositor
Resolution (Å)	33.38 – 2.00 33.38 – 2.01	Depositor EDS
% Data completeness (in resolution range)	99.4 (33.38-2.00) 99.0 (33.38-2.01)	Depositor EDS
R_{merge}	0.06	Depositor
R_{sym}	(Not available)	Depositor
$\langle I/\sigma(I) \rangle$ ¹	3.55 (at 2.01Å)	Xtrriage
Refinement program	PHENIX (phenix.refine)/refmac5.5	Depositor
R, R_{free}	0.200 , 0.249 0.194 , 0.191	Depositor DCC
R_{free} test set	3049 reflections (5.06%)	wwPDB-VP
Wilson B-factor (Å ²)	36.7	Xtrriage
Anisotropy	0.515	Xtrriage
Bulk solvent k_{sol} (e/Å ³), B_{sol} (Å ²)	0.29 , 52.7	EDS
L-test for twinning ²	$\langle L \rangle = 0.49$, $\langle L^2 \rangle = 0.32$	Xtrriage
Estimated twinning fraction	No twinning to report.	Xtrriage
F_o, F_c correlation	0.96	EDS
Total number of atoms	8130	wwPDB-VP
Average B, all atoms (Å ²)	47.0	wwPDB-VP

Xtrriage's analysis on translational NCS is as follows: *The analyses of the Patterson function reveals a significant off-origin peak that is 64.03 % of the origin peak, indicating pseudo-translational symmetry. The chance of finding a peak of this or larger height randomly in a structure without pseudo-translational symmetry is equal to 8.8222e-06. The detected translational NCS is most likely also responsible for the elevated intensity ratio.*

¹Intensities estimated from amplitudes.

²Theoretical values of $\langle |L| \rangle$, $\langle L^2 \rangle$ for acentric reflections are 0.5, 0.333 respectively for untwinned datasets, and 0.375, 0.2 for perfectly twinned datasets.

5 Model quality [i](#)

5.1 Standard geometry [i](#)

Bond lengths and bond angles in the following residue types are not validated in this section: ACY

The Z score for a bond length (or angle) is the number of standard deviations the observed value is removed from the expected value. A bond length (or angle) with $|Z| > 5$ is considered an outlier worth inspection. RMSZ is the root-mean-square of all Z scores of the bond lengths (or angles).

Mol	Chain	Bond lengths		Bond angles	
		RMSZ	# Z >5	RMSZ	# Z >5
1	A	0.48	0/2027	0.61	0/2719
1	B	0.44	0/1869	0.63	2/2509 (0.1%)
1	C	0.46	0/1862	0.60	0/2500
1	D	0.41	0/1961	0.55	0/2635
All	All	0.45	0/7719	0.60	2/10363 (0.0%)

There are no bond length outliers.

All (2) bond angle outliers are listed below:

Mol	Chain	Res	Type	Atoms	Z	Observed(°)	Ideal(°)
1	B	197	ARG	NE-CZ-NH1	6.23	123.42	120.30
1	B	197	ARG	NE-CZ-NH2	-5.29	117.65	120.30

There are no chirality outliers.

There are no planarity outliers.

5.2 Too-close contacts [i](#)

In the following table, the Non-H and H(model) columns list the number of non-hydrogen atoms and hydrogen atoms in the chain respectively. The H(added) column lists the number of hydrogen atoms added and optimized by MolProbity. The Clashes column lists the number of clashes within the asymmetric unit, whereas Symm-Clashes lists symmetry-related clashes.

Mol	Chain	Non-H	H(model)	H(added)	Clashes	Symm-Clashes
1	A	2005	0	1982	52	0
1	B	1845	0	1846	56	0
1	C	1841	0	1855	48	0
1	D	1936	0	1917	80	0
2	B	4	0	3	2	0

Continued on next page...

Continued from previous page...

Mol	Chain	Non-H	H(model)	H(added)	Clashes	Symm-Clashes
3	A	154	0	0	7	0
3	B	118	0	0	4	0
3	C	129	0	0	8	0
3	D	98	0	0	7	0
All	All	8130	0	7603	231	0

The all-atom clashscore is defined as the number of clashes found per 1000 atoms (including hydrogen atoms). The all-atom clashscore for this structure is 15.

All (231) close contacts within the same asymmetric unit are listed below, sorted by their clash magnitude.

Atom-1	Atom-2	Interatomic distance (Å)	Clash overlap (Å)
1:C:45:MSE:SE	1:C:233:MSE:HG2	1.94	1.17
1:B:37:ASP:HB3	1:B:40:THR:OG1	1.44	1.16
1:B:194:ILE:HB	1:B:219:MSE:HE1	1.25	1.13
1:A:194:ILE:HB	1:A:219:MSE:HE1	1.34	1.03
1:D:194:ILE:HB	1:D:219:MSE:HE1	1.36	1.02
1:C:132:ASN:C	1:C:132:ASN:HD22	1.71	0.92
1:B:37:ASP:OD1	1:B:40:THR:HG23	1.70	0.92
1:B:105:HIS:HD2	1:B:107:ASN:H	1.18	0.91
1:D:105:HIS:HD2	1:D:107:ASN:H	1.22	0.87
1:C:190:VAL:HG22	1:C:206:VAL:HG21	1.57	0.87
1:C:201:ILE:HD12	1:C:201:ILE:H	1.41	0.85
1:C:37:ASP:OD1	1:C:40:THR:HG23	1.78	0.84
1:A:130[A]:LEU:HD11	1:A:139:ILE:HD12	1.61	0.82
1:D:103:ARG:HD2	1:D:104:TYR:CE1	2.15	0.82
1:D:130:LEU:O	1:D:213:LYS:HB2	1.80	0.81
1:D:69:ARG:HD3	1:D:104:TYR:CZ	2.17	0.80
1:B:37:ASP:OD1	1:B:40:THR:CG2	2.30	0.79
1:A:130[B]:LEU:HD21	1:A:139:ILE:HD12	1.66	0.76
1:B:37:ASP:CB	1:B:40:THR:OG1	2.30	0.74
1:B:197:ARG:HB2	1:B:219:MSE:HE2	1.71	0.72
1:A:33:GLY:HA3	1:A:41:GLN:OE1	1.92	0.69
1:C:136:ARG:HG3	1:C:215:LEU:CD1	2.22	0.69
1:D:182:SER:HA	1:D:185:LEU:HD12	1.75	0.68
1:A:125:ASP:OD1	1:D:105:HIS:HE1	1.76	0.68
1:A:237:LYS:HA	1:A:262:LEU:HG	1.75	0.68
1:D:177:TYR:HA	1:D:210:MSE:HE1	1.75	0.68
1:B:105:HIS:CD2	1:B:107:ASN:H	2.07	0.68
1:B:237:LYS:HE2	2:B:266:ACY:O	1.93	0.67
1:A:130[A]:LEU:HD12	1:A:136:ARG:HA	1.77	0.67

Continued on next page...

Continued from previous page...

Atom-1	Atom-2	Interatomic distance (Å)	Clash overlap (Å)
1:B:37:ASP:O	1:B:41:GLN:CG	2.43	0.67
1:D:53:LEU:HD22	1:D:159:LEU:HD21	1.77	0.66
1:D:136:ARG:NE	1:D:140:MSE:HE3	2.10	0.66
1:A:127:PRO:HG2	1:A:130[A]:LEU:HD21	1.77	0.66
1:B:194:ILE:CB	1:B:219:MSE:HE1	2.15	0.66
1:D:105:HIS:CD2	1:D:107:ASN:H	2.09	0.66
1:A:130[A]:LEU:HD13	1:A:135:ILE:HG22	1.78	0.65
1:B:197:ARG:HD2	1:B:217:ILE:O	1.97	0.65
1:D:164:SER:HB2	1:D:237:LYS:HG3	1.80	0.64
1:D:194:ILE:HB	1:D:219:MSE:CE	2.20	0.64
1:B:44:MSE:HA	1:B:44:MSE:HE2	1.79	0.64
1:D:142:SER:OG	3:D:315:HOH:O	2.14	0.64
1:B:218:GLU:HG3	3:B:355:HOH:O	1.99	0.62
1:D:184:ASP:HB3	3:D:323:HOH:O	1.98	0.62
1:D:33:GLY:HA3	1:D:41:GLN:HE21	1.64	0.62
1:C:136:ARG:HG3	1:C:215:LEU:HD13	1.81	0.62
1:A:51:GLN:O	1:A:55[B]:ARG:HG3	1.99	0.62
1:C:201:ILE:H	1:C:201:ILE:CD1	2.12	0.61
1:D:26:LYS:HG2	1:D:227:TYR:HE1	1.66	0.61
1:C:140:MSE:HE3	1:C:215:LEU:HD12	1.82	0.61
1:B:135:ILE:HG12	1:C:138:GLY:HA3	1.83	0.61
1:B:105:HIS:HE1	1:C:125:ASP:OD1	1.83	0.61
1:C:130:LEU:HD13	1:C:136:ARG:HA	1.82	0.61
1:A:242:ILE:O	1:A:246:ARG:HG3	2.01	0.60
1:A:130[B]:LEU:HD23	1:A:135:ILE:HG22	1.81	0.60
1:A:205[B]:MSE:HE2	1:A:249:TYR:HE1	1.66	0.60
1:C:201:ILE:HD12	1:C:201:ILE:N	2.15	0.60
1:B:162:ILE:O	1:B:237:LYS:HE3	2.02	0.60
1:A:184:ASP:O	1:A:188:ARG:HG3	2.02	0.59
1:B:37:ASP:O	1:B:41:GLN:HG3	2.01	0.59
1:A:72:SER:O	1:A:76:GLU:HG3	2.03	0.59
1:B:177:TYR:CD2	1:B:210:MSE:HE1	2.38	0.59
1:C:78:LEU:HB2	1:C:116:LYS:HD3	1.84	0.59
1:D:213:LYS:NZ	1:D:213:LYS:HB3	2.18	0.59
1:A:130[A]:LEU:HD12	1:A:136:ARG:CA	2.33	0.57
1:A:55[A]:ARG:HG2	1:A:55[A]:ARG:HH11	1.69	0.57
1:C:79:PRO:CD	3:C:367:HOH:O	2.52	0.57
1:A:130[B]:LEU:HD23	1:A:135:ILE:CG2	2.35	0.57
1:B:37:ASP:O	1:B:41:GLN:HG2	2.04	0.57
1:D:144:HIS:N	3:D:315:HOH:O	2.36	0.57
1:C:132:ASN:C	1:C:132:ASN:ND2	2.45	0.57

Continued on next page...

Continued from previous page...

Atom-1	Atom-2	Interatomic distance (Å)	Clash overlap (Å)
1:B:105:HIS:HD2	1:B:107:ASN:N	1.97	0.56
1:A:233:MSE:HE3	1:A:256:ASN:ND2	2.19	0.56
1:D:165:PRO:HG3	1:D:173:TRP:CE2	2.40	0.56
1:A:233:MSE:HE3	1:A:256:ASN:HD21	1.70	0.56
1:B:74:LEU:HD22	1:B:159:LEU:CD2	2.36	0.56
1:B:240:GLY:HA3	3:B:383:HOH:O	2.06	0.56
1:D:99:LYS:HE3	1:D:176:PHE:HA	1.88	0.55
1:B:69:ARG:HG2	1:B:104:TYR:CZ	2.41	0.55
1:C:256:ASN:ND2	1:C:259:THR:OG1	2.38	0.55
1:A:130[B]:LEU:CD2	1:A:135:ILE:HG22	2.36	0.55
1:A:193:ASP:HB3	1:A:198:PHE:CD2	2.42	0.55
1:C:136:ARG:CG	1:C:215:LEU:CD1	2.85	0.55
1:D:177:TYR:O	1:D:181:GLU:HB2	2.07	0.55
1:B:242:ILE:HG23	1:B:263:LEU:HD23	1.88	0.54
1:D:142:SER:CB	3:D:315:HOH:O	2.55	0.54
1:A:205[A]:MSE:HE2	3:A:384:HOH:O	2.06	0.54
1:A:130[B]:LEU:HD21	1:A:139:ILE:CD1	2.37	0.54
1:B:137:ASN:HB2	3:B:385:HOH:O	2.08	0.54
1:D:177:TYR:CD2	1:D:210:MSE:SE	3.11	0.53
1:A:62:ILE:HD13	1:A:151:TYR:HD1	1.72	0.53
1:C:12:ASN:OD1	1:C:30:VAL:HG12	2.07	0.53
1:A:53:LEU:HD23	1:A:78:LEU:HD21	1.90	0.53
1:D:185:LEU:HD23	1:D:208:THR:HG21	1.91	0.53
1:D:172:ASN:HA	1:D:175:ALA:HB3	1.90	0.53
1:B:136:ARG:HD3	1:B:215:LEU:HD21	1.90	0.53
1:D:99:LYS:HE2	1:D:176:PHE:HD2	1.74	0.53
1:A:239:SER:H	1:A:242:ILE:HD11	1.74	0.52
1:C:79:PRO:HD3	3:C:367:HOH:O	2.09	0.52
1:D:208:THR:C	1:D:210:MSE:H	2.12	0.52
1:D:165:PRO:HA	1:D:173:TRP:CG	2.45	0.52
1:A:205[B]:MSE:HE2	1:A:249:TYR:CE1	2.44	0.52
1:C:86:GLN:NE2	3:C:322:HOH:O	2.38	0.52
1:A:130[A]:LEU:HD12	1:A:136:ARG:CB	2.40	0.51
1:B:238:TYR:O	1:B:242:ILE:HG12	2.09	0.51
1:D:232:ALA:HB1	1:D:237:LYS:HD2	1.92	0.51
1:A:205[A]:MSE:HG2	1:A:249:TYR:OH	2.10	0.50
1:D:163:GLY:HA3	1:D:193:ASP:OD1	2.11	0.50
1:D:213:LYS:HB3	1:D:213:LYS:HZ2	1.76	0.50
1:B:131:ASP:O	1:B:213:LYS:HE3	2.11	0.50
1:B:242:ILE:HG23	1:B:263:LEU:CD2	2.42	0.50
1:D:33:GLY:C	1:D:36:GLU:HB2	2.32	0.50

Continued on next page...

Continued from previous page...

Atom-1	Atom-2	Interatomic distance (Å)	Clash overlap (Å)
1:C:188:ARG:O	1:C:189:GLN:HB2	2.11	0.50
1:D:55:ARG:NH2	3:D:338:HOH:O	2.25	0.50
1:D:136:ARG:CD	1:D:140:MSE:HE3	2.41	0.50
1:A:207[B]:GLU:HG3	1:A:208:THR:N	2.26	0.49
1:B:44:MSE:HG3	3:B:370:HOH:O	2.11	0.49
1:D:136:ARG:CZ	1:D:140:MSE:HE1	2.42	0.49
1:D:136:ARG:NE	1:D:140:MSE:CE	2.75	0.49
1:D:223:LYS:HE3	1:D:249:TYR:CE1	2.48	0.49
1:B:103:ARG:HG3	1:B:103:ARG:HH11	1.77	0.49
1:D:33:GLY:H	1:D:44:MSE:HE1	1.78	0.49
1:D:91:PRO:HD3	1:D:122:HIS:O	2.13	0.49
1:D:136:ARG:CZ	1:D:140:MSE:CE	2.90	0.49
1:A:197:ARG:HB3	1:A:205[A]:MSE:HE1	1.95	0.48
1:D:37:ASP:O	1:D:41:GLN:HG3	2.13	0.48
1:C:134[B]:LEU:HD12	3:C:387:HOH:O	2.13	0.48
1:B:53:LEU:HD22	1:B:159:LEU:HD21	1.94	0.48
1:B:201:ILE:HD11	1:B:242:ILE:HD11	1.96	0.48
1:D:99:LYS:NZ	1:D:129:LEU:HD12	2.28	0.48
1:D:103:ARG:HD2	1:D:104:TYR:CZ	2.48	0.48
1:D:259:THR:O	1:D:263:LEU:HG	2.13	0.48
1:D:162:ILE:O	1:D:237:LYS:HD3	2.14	0.48
1:C:200:ASP:OD2	1:C:204:ALA:HB3	2.14	0.48
1:C:132:ASN:HD21	1:C:135:ILE:HG13	1.78	0.47
1:C:136:ARG:CG	1:C:215:LEU:HD11	2.44	0.47
1:C:20[B]:LYS:HB2	1:C:20[B]:LYS:HE3	1.55	0.47
1:D:141:GLN:O	1:D:146:LYS:HE3	2.14	0.47
1:D:193:ASP:HB3	1:D:198:PHE:CD2	2.50	0.47
1:A:74:LEU:C	1:A:74:LEU:HD23	2.35	0.47
1:A:11:GLU:N	3:A:554:HOH:O	2.48	0.46
1:A:14:TRP:O	1:A:18:GLN:HG2	2.15	0.46
1:C:101:GLU:HG3	3:C:277:HOH:O	2.14	0.46
1:D:105:HIS:HD2	1:D:107:ASN:N	2.01	0.46
1:C:74:LEU:HD23	1:C:74:LEU:C	2.36	0.46
1:B:233:MSE:O	1:B:234:SER:CB	2.63	0.46
1:D:172:ASN:HB3	1:D:176:PHE:CE1	2.50	0.46
1:C:53:LEU:HD23	1:C:78:LEU:HD21	1.96	0.46
1:A:201:ILE:HG13	3:A:595:HOH:O	2.16	0.46
1:A:101:GLU:HG3	3:A:577:HOH:O	2.16	0.46
1:A:55[A]:ARG:HG2	1:A:55[A]:ARG:NH1	2.29	0.46
1:B:139:ILE:HD11	1:C:139:ILE:HD11	1.98	0.46
1:D:257:SER:O	1:D:261:GLU:HG3	2.16	0.46

Continued on next page...

Continued from previous page...

Atom-1	Atom-2	Interatomic distance (Å)	Clash overlap (Å)
1:B:165:PRO:HA	1:B:173:TRP:CG	2.51	0.46
1:C:37:ASP:OD1	1:C:40:THR:CG2	2.57	0.45
1:C:233:MSE:O	1:C:234:SER:CB	2.65	0.45
1:A:131:ASP:OD2	1:D:142:SER:HA	2.17	0.45
1:D:233:MSE:O	1:D:234:SER:CB	2.63	0.45
1:D:197:ARG:NH1	1:D:216:SER:O	2.49	0.45
1:B:64:GLY:HA2	1:B:90:VAL:O	2.17	0.45
1:B:60:GLY:HA2	1:B:86:GLN:O	2.17	0.45
1:C:20[B]:LYS:HG3	1:C:25:LEU:O	2.17	0.45
1:D:78:LEU:O	1:D:116:LYS:HD2	2.17	0.45
1:C:27:ASP:O	1:C:252:CYS:HA	2.16	0.45
1:D:74:LEU:HD22	1:D:159:LEU:CD2	2.47	0.45
1:B:37:ASP:HB3	1:B:40:THR:HG1	1.69	0.44
1:D:181:GLU:OE1	1:D:181:GLU:HA	2.16	0.44
1:B:173:TRP:CZ3	1:B:193:ASP:OD1	2.70	0.44
1:C:232:ALA:HB1	1:C:241:ILE:HD11	1.98	0.44
1:B:220:ASN:O	1:B:224:GLN:HG3	2.18	0.44
1:B:237:LYS:CE	2:B:266:ACY:O	2.61	0.44
1:C:235:GLU:HG2	3:C:396:HOH:O	2.17	0.44
1:D:164:SER:CB	1:D:237:LYS:HG3	2.45	0.44
1:B:19:LEU:HD23	1:B:264:LEU:HD13	2.00	0.44
1:B:172:ASN:HA	1:B:175:ALA:HB3	1.99	0.44
1:A:16:GLU:O	1:A:20:LYS:HG3	2.18	0.44
1:B:248:LYS:HB2	1:B:248:LYS:HE3	1.69	0.43
1:C:132:ASN:ND2	1:C:132:ASN:O	2.48	0.43
1:C:99:LYS:HA	1:C:99:LYS:HD3	1.75	0.43
1:D:26:LYS:HG2	1:D:227:TYR:CE1	2.51	0.43
1:D:199:PHE:HA	1:D:206:VAL:HG12	2.00	0.43
1:C:136:ARG:HG2	1:C:215:LEU:HD11	1.99	0.43
1:D:47:LEU:O	1:D:51:GLN:HG3	2.19	0.43
1:D:52:LEU:HG	1:D:56:LEU:HD22	2.00	0.43
1:A:242:ILE:H	1:A:242:ILE:HG13	1.53	0.43
1:C:130:LEU:CD1	1:C:136:ARG:HA	2.47	0.43
1:D:33:GLY:N	1:D:44:MSE:HE1	2.34	0.43
1:B:200:ASP:OD2	1:B:200:ASP:C	2.56	0.43
1:D:145:PHE:N	3:D:315:HOH:O	2.22	0.43
1:D:132:ASN:HB3	1:D:135:ILE:HG12	2.00	0.43
1:D:221:LYS:HA	1:D:221:LYS:HD3	1.85	0.43
1:A:181:GLU:O	1:A:185:LEU:HG	2.19	0.43
1:D:56:LEU:HG	1:D:227:TYR:CE2	2.54	0.43
1:D:218:GLU:HG3	3:D:368:HOH:O	2.19	0.43

Continued on next page...

Continued from previous page...

Atom-1	Atom-2	Interatomic distance (Å)	Clash overlap (Å)
1:A:130[B]:LEU:HD22	1:A:136:ARG:HA	2.01	0.43
1:C:219:MSE:HA	1:C:219:MSE:HE2	2.01	0.43
1:D:37:ASP:OD2	1:D:38:GLU:N	2.48	0.43
1:A:22:LYS:NZ	3:A:325:HOH:O	2.31	0.42
1:A:224:GLN:NE2	3:A:423:HOH:O	2.52	0.42
1:B:62:ILE:CD1	1:B:88:ILE:HD12	2.49	0.42
1:C:205:MSE:SE	1:C:219:MSE:HG3	2.69	0.42
1:D:40:THR:O	1:D:44:MSE:HG3	2.20	0.42
1:D:74:LEU:C	1:D:74:LEU:HD23	2.39	0.42
1:D:185:LEU:CD2	1:D:208:THR:HG21	2.49	0.42
1:D:210:MSE:C	1:D:212:GLU:H	2.23	0.42
1:A:34:ASN:C	1:A:36:GLU:N	2.73	0.42
1:B:233:MSE:HE3	1:B:233:MSE:HB2	1.85	0.42
1:B:137:ASN:HA	1:B:140:MSE:HE2	2.02	0.41
1:B:238:TYR:CZ	1:B:242:ILE:HD13	2.55	0.41
1:D:36:GLU:HB3	1:D:37:ASP:H	1.56	0.41
1:D:181:GLU:HG3	1:D:210:MSE:HE3	2.02	0.41
1:A:34:ASN:C	1:A:36:GLU:H	2.23	0.41
1:A:78:LEU:HA	1:A:79:PRO:HD3	1.86	0.41
1:C:20[B]:LYS:NZ	3:C:320:HOH:O	2.51	0.41
1:D:136:ARG:HH21	1:D:137:ASN:ND2	2.19	0.41
1:D:194:ILE:O	1:D:197:ARG:HB2	2.19	0.41
1:A:55[A]:ARG:HG2	3:A:604:HOH:O	2.20	0.41
1:D:159:LEU:N	1:D:159:LEU:HD12	2.35	0.41
1:A:130[A]:LEU:HD13	1:A:135:ILE:CG2	2.48	0.41
1:C:74:LEU:HD13	1:C:159[B]:LEU:CD2	2.51	0.40
1:D:85:ARG:C	1:D:86:GLN:HG2	2.42	0.40
1:B:64:GLY:HA3	1:B:155:LEU:HD11	2.04	0.40
1:B:117:LEU:HA	1:B:117:LEU:HD23	1.86	0.40
1:B:223:LYS:HE3	1:B:247:GLY:O	2.22	0.40
1:B:233:MSE:O	1:B:234:SER:HB3	2.20	0.40
1:A:22:LYS:HD3	1:A:23:PHE:CE2	2.56	0.40
1:A:91:PRO:HG2	1:A:124:ALA:HB2	2.03	0.40
1:B:74:LEU:HD22	1:B:159:LEU:HD23	2.02	0.40
1:D:89:CYS:O	1:D:121:SER:HA	2.21	0.40
1:C:20[B]:LYS:NZ	3:C:324:HOH:O	2.54	0.40

There are no symmetry-related clashes.

5.3 Torsion angles [i](#)

5.3.1 Protein backbone [i](#)

In the following table, the Percentiles column shows the percent Ramachandran outliers of the chain as a percentile score with respect to all X-ray entries followed by that with respect to entries of similar resolution.

The Analysed column shows the number of residues for which the backbone conformation was analysed, and the total number of residues.

Mol	Chain	Analysed	Favoured	Allowed	Outliers	Percentiles	
1	A	256/266 (96%)	251 (98%)	5 (2%)	0	100	100
1	B	230/266 (86%)	227 (99%)	2 (1%)	1 (0%)	34	30
1	C	235/266 (88%)	230 (98%)	4 (2%)	1 (0%)	34	30
1	D	245/266 (92%)	239 (98%)	4 (2%)	2 (1%)	19	13
All	All	966/1064 (91%)	947 (98%)	15 (2%)	4 (0%)	34	30

All (4) Ramachandran outliers are listed below:

Mol	Chain	Res	Type
1	B	234	SER
1	C	234	SER
1	D	234	SER
1	D	209	ASN

5.3.2 Protein sidechains [i](#)

In the following table, the Percentiles column shows the percent sidechain outliers of the chain as a percentile score with respect to all X-ray entries followed by that with respect to entries of similar resolution.

The Analysed column shows the number of residues for which the sidechain conformation was analysed, and the total number of residues.

Mol	Chain	Analysed	Rotameric	Outliers	Percentiles	
1	A	217/211 (103%)	204 (94%)	13 (6%)	19	14
1	B	199/211 (94%)	190 (96%)	9 (4%)	27	24
1	C	199/211 (94%)	187 (94%)	12 (6%)	19	14
1	D	208/211 (99%)	188 (90%)	20 (10%)	8	5
All	All	823/844 (98%)	769 (93%)	54 (7%)	17	12

All (54) residues with a non-rotameric sidechain are listed below:

Mol	Chain	Res	Type
1	A	21	GLN
1	A	35	ASP
1	A	67	TRP
1	A	103[A]	ARG
1	A	103[B]	ARG
1	A	136	ARG
1	A	164	SER
1	A	180	GLU
1	A	193	ASP
1	A	206	VAL
1	A	220	ASN
1	A	242	ILE
1	A	257	SER
1	B	13	LEU
1	B	38	GLU
1	B	67	TRP
1	B	136	ARG
1	B	174	HIS
1	B	177	TYR
1	B	197	ARG
1	B	231	ILE
1	B	264	LEU
1	C	11	GLU
1	C	37	ASP
1	C	38	GLU
1	C	39	GLU
1	C	67	TRP
1	C	86	GLN
1	C	132	ASN
1	C	193	ASP
1	C	209	ASN
1	C	233	MSE
1	C	236	GLU
1	C	256	ASN
1	D	11	GLU
1	D	15	LEU
1	D	26	LYS
1	D	56	LEU
1	D	67	TRP
1	D	69	ARG
1	D	86	GLN
1	D	100	LEU

Continued on next page...

Continued from previous page...

Mol	Chain	Res	Type
1	D	103	ARG
1	D	134	LEU
1	D	160[A]	VAL
1	D	160[B]	VAL
1	D	174	HIS
1	D	193	ASP
1	D	197	ARG
1	D	206	VAL
1	D	213	LYS
1	D	236	GLU
1	D	264	LEU
1	D	265	LYS

Sometimes sidechains can be flipped to improve hydrogen bonding and reduce clashes. All (21) such sidechains are listed below:

Mol	Chain	Res	Type
1	A	12	ASN
1	A	137	ASN
1	A	186	ASN
1	B	21	GLN
1	B	41	GLN
1	B	80	GLN
1	B	105	HIS
1	B	137	ASN
1	B	224	GLN
1	C	34	ASN
1	C	41	GLN
1	C	132	ASN
1	C	137	ASN
1	C	256	ASN
1	D	21	GLN
1	D	77	ASN
1	D	80	GLN
1	D	86	GLN
1	D	105	HIS
1	D	137	ASN
1	D	224	GLN

5.3.3 RNA

There are no RNA molecules in this entry.

5.4 Non-standard residues in protein, DNA, RNA chains [i](#)

There are no non-standard protein/DNA/RNA residues in this entry.

5.5 Carbohydrates [i](#)

There are no monosaccharides in this entry.

5.6 Ligand geometry [i](#)

1 ligand is modelled in this entry.

In the following table, the Counts columns list the number of bonds (or angles) for which Mogul statistics could be retrieved, the number of bonds (or angles) that are observed in the model and the number of bonds (or angles) that are defined in the Chemical Component Dictionary. The Link column lists molecule types, if any, to which the group is linked. The Z score for a bond length (or angle) is the number of standard deviations the observed value is removed from the expected value. A bond length (or angle) with $|Z| > 2$ is considered an outlier worth inspection. RMSZ is the root-mean-square of all Z scores of the bond lengths (or angles).

Mol	Type	Chain	Res	Link	Bond lengths			Bond angles		
					Counts	RMSZ	$\# Z > 2$	Counts	RMSZ	$\# Z > 2$
2	ACY	B	266	-	3,3,3	1.09	0	3,3,3	0.61	0

There are no bond length outliers.

There are no bond angle outliers.

There are no chirality outliers.

There are no torsion outliers.

There are no ring outliers.

1 monomer is involved in 2 short contacts:

Mol	Chain	Res	Type	Clashes	Symm-Clashes
2	B	266	ACY	2	0

5.7 Other polymers [i](#)

There are no such residues in this entry.

5.8 Polymer linkage issues

There are no chain breaks in this entry.

6 Fit of model and data

6.1 Protein, DNA and RNA chains

In the following table, the column labelled ‘#RSRZ > 2’ contains the number (and percentage) of RSRZ outliers, followed by percent RSRZ outliers for the chain as percentile scores relative to all X-ray entries and entries of similar resolution. The OWAB column contains the minimum, median, 95th percentile and maximum values of the occupancy-weighted average B-factor per residue. The column labelled ‘Q < 0.9’ lists the number of (and percentage) of residues with an average occupancy less than 0.9.

Mol	Chain	Analysed	<RSRZ>	#RSRZ>2	OWAB(Å ²)	Q<0.9
1	A	239/266 (89%)	0.32	20 (8%) 11 10	25, 39, 79, 108	3 (1%)
1	B	228/266 (85%)	0.31	17 (7%) 14 13	25, 38, 71, 111	4 (1%)
1	C	226/266 (84%)	0.34	15 (6%) 18 17	24, 39, 77, 100	11 (4%)
1	D	241/266 (90%)	0.72	35 (14%) 2 2	28, 47, 91, 153	24 (9%)
All	All	934/1064 (87%)	0.43	87 (9%) 8 8	24, 40, 82, 153	42 (4%)

All (87) RSRZ outliers are listed below:

Mol	Chain	Res	Type	RSRZ
1	D	10	ASN	11.9
1	D	165	PRO	10.9
1	D	172	ASN	9.5
1	D	177	TYR	8.8
1	B	172	ASN	8.4
1	D	183	ASP	7.9
1	D	174	HIS	6.8
1	A	187	ALA	5.8
1	D	185	LEU	5.8
1	D	209	ASN	5.6
1	C	189	GLN	5.5
1	C	190	VAL	5.5
1	D	181	GLU	5.4
1	D	184	ASP	5.4
1	D	173	TRP	5.1
1	A	35	ASP	4.8
1	D	186	ASN	4.7
1	D	33	GLY	4.7
1	D	164	SER	4.6
1	C	207	GLU	4.6
1	C	206	VAL	4.6

Continued on next page...

Continued from previous page...

Mol	Chain	Res	Type	RSRZ
1	D	187	ALA	4.5
1	B	40	THR	4.4
1	D	36	GLU	4.3
1	D	235	GLU	4.3
1	B	238	TYR	4.2
1	D	180	GLU	4.1
1	B	189	GLN	4.1
1	D	38	GLU	4.0
1	C	209	ASN	4.0
1	B	174	HIS	4.0
1	B	173	TRP	4.0
1	B	37	ASP	3.9
1	B	188	ARG	3.8
1	C	188	ARG	3.6
1	C	238	TYR	3.5
1	C	208	THR	3.3
1	A	186	ASN	3.2
1	A	206	VAL	3.2
1	D	238	TYR	3.2
1	D	212	GLU	3.1
1	A	182	SER	3.1
1	D	182	SER	3.1
1	D	200[A]	ASP	3.1
1	A	159[A]	LEU	3.1
1	C	236	GLU	3.0
1	D	179	GLY	2.9
1	A	180	GLU	2.9
1	A	175	ALA	2.9
1	B	38	GLU	2.9
1	D	82	GLY	2.8
1	D	188	ARG	2.8
1	A	208	THR	2.8
1	D	124	ALA	2.8
1	A	183	ASP	2.8
1	B	82	GLY	2.8
1	D	37	ASP	2.7
1	B	164	SER	2.7
1	A	184	ASP	2.7
1	C	211	SER	2.6
1	A	83	GLN	2.6
1	C	82	GLY	2.5
1	D	206	VAL	2.5

Continued on next page...

Continued from previous page...

Mol	Chain	Res	Type	RSRZ
1	D	190	VAL	2.5
1	A	238	TYR	2.5
1	A	178	GLY	2.4
1	A	34	ASN	2.4
1	A	209[A]	ASN	2.4
1	D	178	GLY	2.4
1	D	83	GLN	2.3
1	C	31	VAL	2.3
1	B	175	ALA	2.3
1	B	242	ILE	2.3
1	B	209	ASN	2.2
1	A	185	LEU	2.2
1	B	177	TYR	2.2
1	A	179	GLY	2.2
1	A	188	ARG	2.2
1	C	33	GLY	2.2
1	D	213	LYS	2.2
1	D	191	ALA	2.2
1	D	203	GLY	2.1
1	C	130	LEU	2.1
1	B	191	ALA	2.1
1	B	41	GLN	2.0
1	C	123	LEU	2.0
1	A	81	ALA	2.0

6.2 Non-standard residues in protein, DNA, RNA chains [i](#)

There are no non-standard protein/DNA/RNA residues in this entry.

6.3 Carbohydrates [i](#)

There are no monosaccharides in this entry.

6.4 Ligands [i](#)

In the following table, the Atoms column lists the number of modelled atoms in the group and the number defined in the chemical component dictionary. The B-factors column lists the minimum, median, 95th percentile and maximum values of B factors of atoms in the group. The column labelled 'Q< 0.9' lists the number of atoms with occupancy less than 0.9.

Mol	Type	Chain	Res	Atoms	RSCC	RSR	B-factors(\AA^2)	Q<0.9
2	ACY	B	266	4/4	0.89	0.25	45,56,68,69	0

6.5 Other polymers [i](#)

There are no such residues in this entry.