



Full wwPDB X-ray Structure Validation Report ⓘ

Dec 16, 2023 – 08:05 am GMT

PDB ID : 4ARX
Title : Lepidoptera-specific toxin Cry1Ac from *Bacillus thuringiensis* ssp. *kurstaki* HD-73
Authors : Derbyshire, D.J.; Carroll, J.; Ellar, D.J.; Li, J.
Deposited on : 2012-04-27
Resolution : 2.35 Å (reported)

This is a Full wwPDB X-ray Structure Validation Report for a publicly released PDB entry.

We welcome your comments at validation@mail.wwpdb.org

A user guide is available at

<https://www.wwpdb.org/validation/2017/XrayValidationReportHelp>

with specific help available everywhere you see the ⓘ symbol.

The types of validation reports are described at

<http://www.wwpdb.org/validation/2017/FAQs#types>.

The following versions of software and data (see [references ⓘ](#)) were used in the production of this report:

MolProbity : 4.02b-467
Mogul : 1.8.4, CSD as541be (2020)
Xtriage (Phenix) : 1.13
EDS : 2.36
Percentile statistics : 20191225.v01 (using entries in the PDB archive December 25th 2019)
Refmac : 5.8.0158
CCP4 : 7.0.044 (Gargrove)
Ideal geometry (proteins) : Engh & Huber (2001)
Ideal geometry (DNA, RNA) : Parkinson et al. (1996)
Validation Pipeline (wwPDB-VP) : 2.36

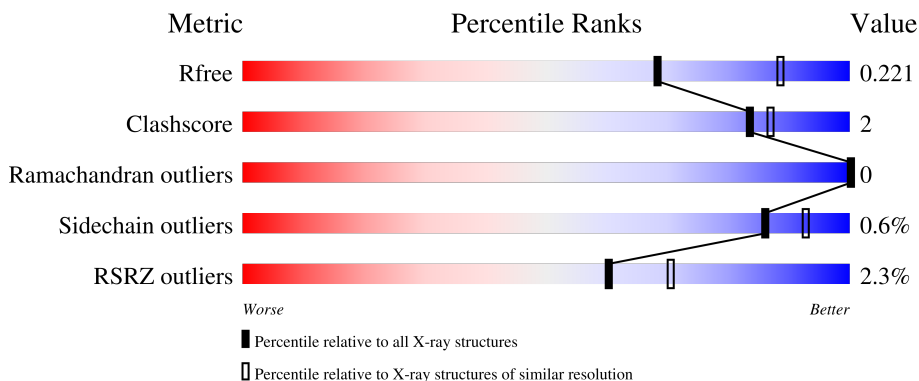
1 Overall quality at a glance i

The following experimental techniques were used to determine the structure:

X-RAY DIFFRACTION

The reported resolution of this entry is 2.35 Å.

Percentile scores (ranging between 0-100) for global validation metrics of the entry are shown in the following graphic. The table shows the number of entries on which the scores are based.



Metric	Whole archive (#Entries)	Similar resolution (#Entries, resolution range(Å))
R_{free}	130704	1164 (2.36-2.36)
Clashscore	141614	1232 (2.36-2.36)
Ramachandran outliers	138981	1211 (2.36-2.36)
Sidechain outliers	138945	1212 (2.36-2.36)
RSRZ outliers	127900	1150 (2.36-2.36)

The table below summarises the geometric issues observed across the polymeric chains and their fit to the electron density. The red, orange, yellow and green segments of the lower bar indicate the fraction of residues that contain outliers for ≥ 3 , 2, 1 and 0 types of geometric quality criteria respectively. A grey segment represents the fraction of residues that are not modelled. The numeric value for each fraction is indicated below the corresponding segment, with a dot representing fractions $\leq 5\%$. The upper red bar (where present) indicates the fraction of residues that have poor fit to the electron density. The numeric value is given above the bar.

Mol	Chain	Length	Quality of chain
1	A	579	<div style="display: flex; align-items: center;"> <div style="width: 5%; height: 10px; background-color: red; margin-right: 2px;"></div> <div style="width: 94%; height: 10px; background-color: green; margin-right: 2px;"></div> <div style="width: 6%; height: 10px; background-color: yellow; margin-right: 2px;"></div> </div> <p style="text-align: center; margin: 0;">94% 6%</p>
1	B	579	<div style="display: flex; align-items: center;"> <div style="width: 5%; height: 10px; background-color: red; margin-right: 2px;"></div> <div style="width: 95%; height: 10px; background-color: green; margin-right: 2px;"></div> <div style="width: 5%; height: 10px; background-color: yellow; margin-right: 2px;"></div> </div> <p style="text-align: center; margin: 0;">95% 5%</p>
1	C	579	<div style="display: flex; align-items: center;"> <div style="width: 3%; height: 10px; background-color: red; margin-right: 2px;"></div> <div style="width: 93%; height: 10px; background-color: green; margin-right: 2px;"></div> <div style="width: 7%; height: 10px; background-color: yellow; margin-right: 2px;"></div> </div> <p style="text-align: center; margin: 0;">93% 7%</p>
1	D	579	<div style="display: flex; align-items: center;"> <div style="width: 4%; height: 10px; background-color: red; margin-right: 2px;"></div> <div style="width: 93%; height: 10px; background-color: green; margin-right: 2px;"></div> <div style="width: 6%; height: 10px; background-color: yellow; margin-right: 2px;"></div> </div> <p style="text-align: center; margin: 0;">93% 6%</p>

2 Entry composition [i](#)

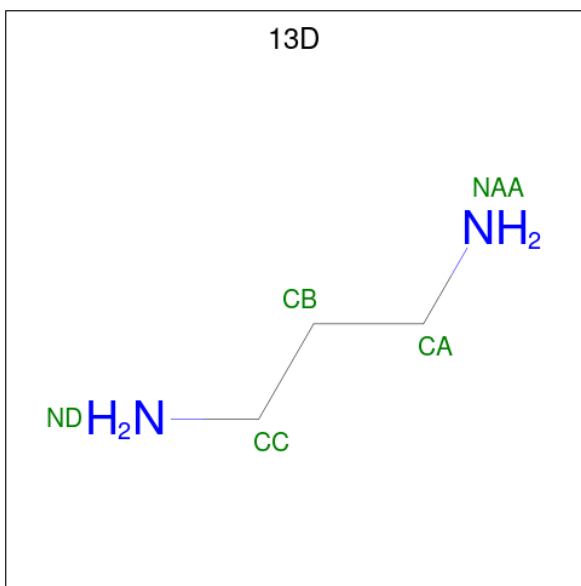
There are 4 unique types of molecules in this entry. The entry contains 19105 atoms, of which 0 are hydrogens and 0 are deuteriums.

In the tables below, the ZeroOcc column contains the number of atoms modelled with zero occupancy, the AltConf column contains the number of residues with at least one atom in alternate conformation and the Trace column contains the number of residues modelled with at most 2 atoms.

- Molecule 1 is a protein called PESTICIDAL CRYSTAL PROTEIN CRY1AC.

Mol	Chain	Residues	Atoms					ZeroOcc	AltConf	Trace
			Total	C	N	O	S			
1	A	579	Total 4594	C 2924	N 804	O 859	S 7	0	0	1
1	B	578	Total 4594	C 2924	N 803	O 860	S 7	0	0	0
1	C	578	Total 4587	C 2920	N 803	O 857	S 7	0	0	1
1	D	577	Total 4583	C 2918	N 802	O 856	S 7	0	0	1

- Molecule 2 is 1,3-DIAMINOPROPANE (three-letter code: 13D) (formula: C₃H₁₀N₂).



Mol	Chain	Residues	Atoms			ZeroOcc	AltConf
			Total	C	N		
2	A	1	Total 5	C 3	N 2	0	0
2	A	1	Total 5	C 3	N 2	0	0

Continued on next page...

Continued from previous page...

Mol	Chain	Residues	Atoms			ZeroOcc	AltConf
2	B	1	Total	C	N	0	0
			5	3	2		
2	B	1	Total	C	N	0	0
			5	3	2		

- Molecule 3 is GLYCEROL (three-letter code: GOL) (formula: C₃H₈O₃).



Mol	Chain	Residues	Atoms			ZeroOcc	AltConf
3	D	1	Total	C	O	0	0
			6	3	3		

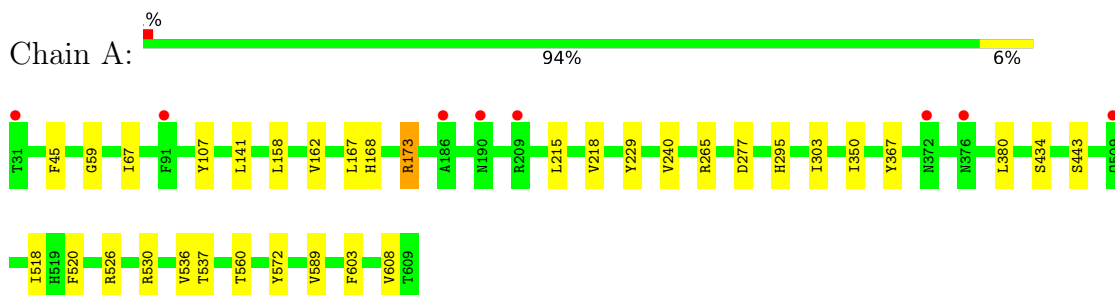
- Molecule 4 is water.

Mol	Chain	Residues	Atoms		ZeroOcc	AltConf
4	A	189	Total	O	0	0
			189	189		
4	B	208	Total	O	0	0
			208	208		
4	C	163	Total	O	0	0
			163	163		
4	D	161	Total	O	0	0
			161	161		

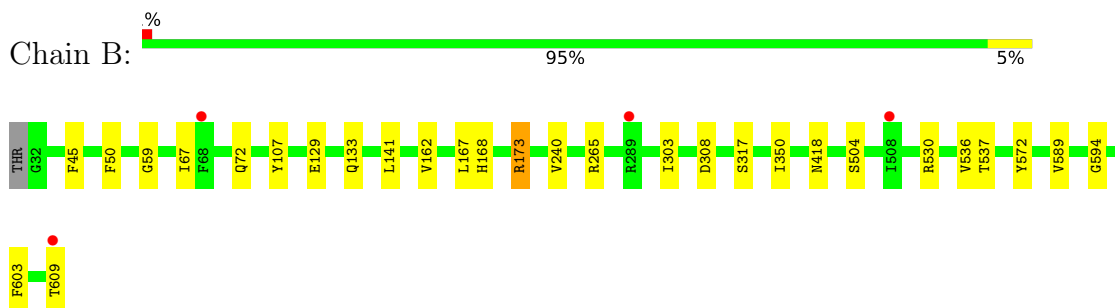
3 Residue-property plots [i](#)

These plots are drawn for all protein, RNA, DNA and oligosaccharide chains in the entry. The first graphic for a chain summarises the proportions of the various outlier classes displayed in the second graphic. The second graphic shows the sequence view annotated by issues in geometry and electron density. Residues are color-coded according to the number of geometric quality criteria for which they contain at least one outlier: green = 0, yellow = 1, orange = 2 and red = 3 or more. A red dot above a residue indicates a poor fit to the electron density ($RSRZ > 2$). Stretches of 2 or more consecutive residues without any outlier are shown as a green connector. Residues present in the sample, but not in the model, are shown in grey.

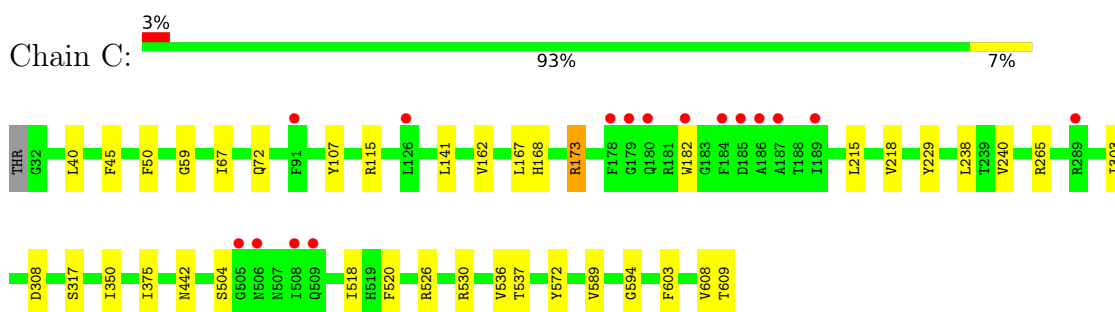
- Molecule 1: PESTICIDAL CRYSTAL PROTEIN CRY1AC



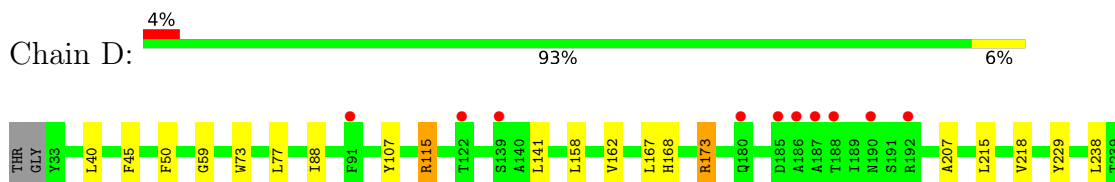
- Molecule 1: PESTICIDAL CRYSTAL PROTEIN CRY1AC



- Molecule 1: PESTICIDAL CRYSTAL PROTEIN CRY1AC



- Molecule 1: PESTICIDAL CRYSTAL PROTEIN CRY1AC





4 Data and refinement statistics

Property	Value	Source
Space group	P 1	Depositor
Cell constants a, b, c, α , β , γ	51.81Å 112.97Å 123.30Å 113.11° 91.52° 100.51°	Depositor
Resolution (Å)	112.51 – 2.35 43.09 – 2.35	Depositor EDS
% Data completeness (in resolution range)	91.7 (112.51-2.35) 91.7 (43.09-2.35)	Depositor EDS
R_{merge}	0.10	Depositor
R_{sym}	(Not available)	Depositor
$\langle I/\sigma(I) \rangle$ ¹	2.26 (at 2.34Å)	Xtrriage
Refinement program	REFMAC 5.6.0117	Depositor
R, R_{free}	0.184 , 0.218 0.187 , 0.221	Depositor DCC
R_{free} test set	4815 reflections (5.03%)	wwPDB-VP
Wilson B-factor (Å ²)	22.3	Xtrriage
Anisotropy	0.376	Xtrriage
Bulk solvent k_{sol} (e/Å ³), B_{sol} (Å ²)	0.43 , 55.7	EDS
L-test for twinning ²	$\langle L \rangle = 0.50$, $\langle L^2 \rangle = 0.33$	Xtrriage
Estimated twinning fraction	0.035 for h,-h-k,-l	Xtrriage
F_o, F_c correlation	0.94	EDS
Total number of atoms	19105	wwPDB-VP
Average B, all atoms (Å ²)	24.0	wwPDB-VP

Xtrriage's analysis on translational NCS is as follows: *The largest off-origin peak in the Patterson function is 13.77% of the height of the origin peak. No significant pseudotranslation is detected.*

¹Intensities estimated from amplitudes.

²Theoretical values of $\langle |L| \rangle$, $\langle L^2 \rangle$ for acentric reflections are 0.5, 0.333 respectively for untwinned datasets, and 0.375, 0.2 for perfectly twinned datasets.

5 Model quality [i](#)

5.1 Standard geometry [i](#)

Bond lengths and bond angles in the following residue types are not validated in this section: GOL, 13D

The Z score for a bond length (or angle) is the number of standard deviations the observed value is removed from the expected value. A bond length (or angle) with $|Z| > 5$ is considered an outlier worth inspection. RMSZ is the root-mean-square of all Z scores of the bond lengths (or angles).

Mol	Chain	Bond lengths		Bond angles	
		RMSZ	# Z >5	RMSZ	# Z >5
1	A	0.57	0/4714	0.67	2/6425 (0.0%)
1	B	0.58	0/4714	0.67	2/6423 (0.0%)
1	C	0.57	1/4707 (0.0%)	0.67	2/6415 (0.0%)
1	D	0.55	1/4703 (0.0%)	0.66	3/6410 (0.0%)
All	All	0.57	2/18838 (0.0%)	0.67	9/25673 (0.0%)

All (2) bond length outliers are listed below:

Mol	Chain	Res	Type	Atoms	Z	Observed(Å)	Ideal(Å)
1	D	73	TRP	CD2-CE2	5.20	1.47	1.41
1	C	182	TRP	CD2-CE2	5.01	1.47	1.41

All (9) bond angle outliers are listed below:

Mol	Chain	Res	Type	Atoms	Z	Observed(°)	Ideal(°)
1	B	173	ARG	NE-CZ-NH2	-7.45	116.58	120.30
1	A	173	ARG	NE-CZ-NH2	-7.41	116.60	120.30
1	D	173	ARG	NE-CZ-NH2	-6.91	116.85	120.30
1	B	173	ARG	NE-CZ-NH1	6.88	123.74	120.30
1	C	173	ARG	NE-CZ-NH1	6.76	123.68	120.30
1	A	173	ARG	NE-CZ-NH1	6.45	123.52	120.30
1	C	173	ARG	NE-CZ-NH2	-6.39	117.10	120.30
1	D	173	ARG	NE-CZ-NH1	6.19	123.39	120.30
1	D	115	ARG	NE-CZ-NH1	5.71	123.16	120.30

There are no chirality outliers.

There are no planarity outliers.

5.2 Too-close contacts [i](#)

In the following table, the Non-H and H(model) columns list the number of non-hydrogen atoms and hydrogen atoms in the chain respectively. The H(added) column lists the number of hydrogen atoms added and optimized by MolProbity. The Clashes column lists the number of clashes within the asymmetric unit, whereas Symm-Clashes lists symmetry-related clashes.

Mol	Chain	Non-H	H(model)	H(added)	Clashes	Symm-Clashes
1	A	4594	0	4448	27	0
1	B	4594	0	4448	16	0
1	C	4587	0	4441	25	1
1	D	4583	0	4438	20	1
2	A	10	0	20	1	0
2	B	10	0	20	0	0
3	D	6	0	8	0	0
4	A	189	0	0	5	0
4	B	208	0	0	1	0
4	C	163	0	0	1	0
4	D	161	0	0	0	0
All	All	19105	0	17823	87	1

The all-atom clashscore is defined as the number of clashes found per 1000 atoms (including hydrogen atoms). The all-atom clashscore for this structure is 2.

All (87) close contacts within the same asymmetric unit are listed below, sorted by their clash magnitude.

Atom-1	Atom-2	Interatomic distance (Å)	Clash overlap (Å)
1:C:608:VAL:HG23	1:C:609:THR:N	1.96	0.80
1:D:530:ARG:HD3	1:D:572:TYR:CD2	2.24	0.72
1:C:608:VAL:CG2	1:C:609:THR:N	2.54	0.71
1:B:530:ARG:HD3	1:B:572:TYR:CD2	2.26	0.70
1:A:67:ILE:CD1	4:A:2026:HOH:O	2.40	0.69
1:A:530:ARG:HD3	1:A:572:TYR:CD2	2.28	0.68
1:A:162:VAL:HG21	1:A:240:VAL:HG13	1.74	0.68
1:C:530:ARG:HD3	1:C:572:TYR:CD2	2.29	0.67
1:C:107:TYR:CE1	1:C:167:LEU:HD11	2.34	0.63
1:A:536:VAL:HG23	1:A:537:THR:HG23	1.80	0.62
1:B:536:VAL:HG23	1:B:537:THR:HG23	1.80	0.62
1:D:530:ARG:HD3	1:D:572:TYR:HD2	1.64	0.62
1:C:536:VAL:HG22	4:C:2154:HOH:O	2.00	0.61
1:B:107:TYR:CE1	1:B:167:LEU:HD11	2.36	0.60
1:C:536:VAL:HG23	1:C:537:THR:HG23	1.83	0.60
1:B:162:VAL:HG21	1:B:240:VAL:HG13	1.83	0.60

Continued on next page...

Continued from previous page...

Atom-1	Atom-2	Interatomic distance (Å)	Clash overlap (Å)
1:A:526:ARG:HB2	1:A:608:VAL:HG22	1.82	0.60
1:B:530:ARG:HD3	1:B:572:TYR:HD2	1.66	0.60
1:C:162:VAL:HG21	1:C:240:VAL:HG13	1.84	0.59
1:A:67:ILE:HD11	4:A:2026:HOH:O	2.00	0.59
1:C:530:ARG:HD3	1:C:572:TYR:HD2	1.68	0.59
1:B:418:ASN:ND2	4:B:2002:HOH:O	2.36	0.58
1:D:141:LEU:HD13	1:D:168:HIS:HA	1.86	0.57
1:A:530:ARG:HD3	1:A:572:TYR:HD2	1.69	0.56
1:B:303:ILE:HG23	1:B:350:ILE:HB	1.88	0.55
1:D:526:ARG:HB2	1:D:608:VAL:HG22	1.88	0.54
1:A:560:THR:HG23	4:A:2180:HOH:O	2.07	0.54
1:C:107:TYR:CD1	1:C:167:LEU:HD11	2.42	0.54
1:B:107:TYR:CD1	1:B:167:LEU:HD11	2.44	0.52
1:C:303:ILE:HG23	1:C:350:ILE:HB	1.90	0.52
1:A:277:ASP:HB2	2:A:1610:13D:HDN1	1.75	0.52
1:A:303:ILE:HG23	1:A:350:ILE:HB	1.91	0.52
1:C:141:LEU:HD13	1:C:168:HIS:HA	1.91	0.52
1:A:443:SER:OG	1:C:115:ARG:NH1	2.42	0.52
1:A:67:ILE:HD12	1:A:67:ILE:O	2.10	0.51
1:A:141:LEU:HD13	1:A:168:HIS:HA	1.93	0.51
1:C:67:ILE:HD12	1:C:72:GLN:HB3	1.92	0.50
1:C:526:ARG:HB2	1:C:608:VAL:HG22	1.92	0.50
1:D:518:ILE:HD12	1:D:520:PHE:CZ	2.46	0.50
1:A:67:ILE:HD12	1:A:67:ILE:C	2.32	0.50
1:C:67:ILE:CD1	1:C:72:GLN:HB3	2.43	0.49
1:A:518:ILE:HD12	1:A:520:PHE:CZ	2.47	0.49
1:B:67:ILE:HD12	1:B:72:GLN:HB3	1.94	0.49
1:C:67:ILE:HD13	1:C:72:GLN:NE2	2.28	0.49
1:D:107:TYR:CD1	1:D:167:LEU:HD11	2.47	0.48
1:B:67:ILE:HD13	1:B:72:GLN:NE2	2.29	0.48
1:A:526:ARG:HB2	1:A:608:VAL:CG2	2.42	0.47
1:D:589:VAL:HG23	1:D:603:PHE:CE2	2.50	0.47
1:C:40:LEU:HD21	1:C:238:LEU:HD22	1.97	0.46
1:C:518:ILE:HD12	1:C:520:PHE:CZ	2.51	0.46
1:D:77:LEU:HD13	1:D:88:ILE:HD12	1.98	0.46
1:D:45:PHE:CZ	1:D:59:GLY:HA3	2.51	0.46
1:A:218:VAL:HG12	1:A:218:VAL:O	2.15	0.46
1:B:589:VAL:HG23	1:B:603:PHE:CE2	2.51	0.45
1:D:107:TYR:CE1	1:D:167:LEU:HD11	2.52	0.45
1:A:589:VAL:HG23	1:A:603:PHE:CE2	2.51	0.45
1:A:215:LEU:HG	1:A:229:TYR:CE1	2.52	0.44

Continued on next page...

Continued from previous page...

Atom-1	Atom-2	Interatomic distance (Å)	Clash overlap (Å)
1:A:295:HIS:HE1	4:A:2086:HOH:O	1.99	0.44
1:A:107:TYR:CE1	1:A:167:LEU:HD11	2.52	0.44
1:C:218:VAL:O	1:C:218:VAL:HG12	2.17	0.44
1:C:215:LEU:HG	1:C:229:TYR:CE1	2.53	0.44
1:A:434:SER:HB2	4:A:2094:HOH:O	2.16	0.44
1:A:218:VAL:O	1:A:218:VAL:CG1	2.66	0.44
1:B:141:LEU:HD13	1:B:168:HIS:HA	1.99	0.44
1:D:162:VAL:HG21	1:D:240:VAL:HG13	2.00	0.43
1:C:308:ASP:HB2	1:C:317:SER:HB3	2.01	0.43
1:A:45:PHE:CZ	1:A:59:GLY:HA3	2.54	0.43
1:D:40:LEU:HD21	1:D:238:LEU:HD22	2.01	0.43
1:B:308:ASP:HB2	1:B:317:SER:HB3	2.02	0.42
1:D:589:VAL:HG23	1:D:603:PHE:CZ	2.55	0.42
1:C:589:VAL:HG23	1:C:603:PHE:CE2	2.54	0.42
1:B:45:PHE:CZ	1:B:59:GLY:HA3	2.54	0.42
1:D:308:ASP:HB2	1:D:317:SER:HB3	2.02	0.42
1:D:215:LEU:HG	1:D:229:TYR:CE1	2.55	0.42
1:D:536:VAL:HG23	1:D:537:THR:HG23	2.02	0.42
1:D:218:VAL:O	1:D:218:VAL:HG12	2.19	0.41
1:A:367:TYR:HA	1:A:380:LEU:O	2.21	0.41
1:D:158:LEU:HD11	1:D:207:ALA:HA	2.03	0.41
1:A:589:VAL:HG23	1:A:603:PHE:CZ	2.55	0.41
1:C:375:ILE:HD12	1:C:375:ILE:HG23	1.76	0.41
1:C:504:SER:OG	1:C:594:GLY:HA2	2.21	0.41
1:D:367:TYR:HA	1:D:380:LEU:O	2.20	0.41
1:B:129:GLU:O	1:B:133:GLN:HG2	2.21	0.40
1:A:158:LEU:O	1:A:162:VAL:HG23	2.22	0.40
1:D:504:SER:OG	1:D:594:GLY:HA2	2.22	0.40
1:C:45:PHE:CZ	1:C:59:GLY:HA3	2.55	0.40
1:B:504:SER:OG	1:B:594:GLY:HA2	2.22	0.40

All (1) symmetry-related close contacts are listed below. The label for Atom-2 includes the symmetry operator and encoded unit-cell translations to be applied.

Atom-1	Atom-2	Interatomic distance (Å)	Clash overlap (Å)
1:C:442:ASN:OD1	1:D:311:ARG:NH2[1_556]	2.19	0.01

5.3 Torsion angles [i](#)

5.3.1 Protein backbone [i](#)

In the following table, the Percentiles column shows the percent Ramachandran outliers of the chain as a percentile score with respect to all X-ray entries followed by that with respect to entries of similar resolution.

The Analysed column shows the number of residues for which the backbone conformation was analysed, and the total number of residues.

Mol	Chain	Analysed	Favoured	Allowed	Outliers	Percentiles	
1	A	577/579 (100%)	564 (98%)	13 (2%)	0	100	100
1	B	576/579 (100%)	561 (97%)	15 (3%)	0	100	100
1	C	576/579 (100%)	561 (97%)	15 (3%)	0	100	100
1	D	575/579 (99%)	559 (97%)	16 (3%)	0	100	100
All	All	2304/2316 (100%)	2245 (97%)	59 (3%)	0	100	100

There are no Ramachandran outliers to report.

5.3.2 Protein sidechains [i](#)

In the following table, the Percentiles column shows the percent sidechain outliers of the chain as a percentile score with respect to all X-ray entries followed by that with respect to entries of similar resolution.

The Analysed column shows the number of residues for which the sidechain conformation was analysed, and the total number of residues.

Mol	Chain	Analysed	Rotameric	Outliers	Percentiles	
1	A	501/502 (100%)	499 (100%)	2 (0%)	91	95
1	B	501/502 (100%)	497 (99%)	4 (1%)	81	89
1	C	500/502 (100%)	497 (99%)	3 (1%)	86	93
1	D	500/502 (100%)	496 (99%)	4 (1%)	81	89
All	All	2002/2008 (100%)	1989 (99%)	13 (1%)	86	93

All (13) residues with a non-rotameric sidechain are listed below:

Mol	Chain	Res	Type
1	A	173	ARG
1	A	265	ARG

Continued on next page...

Continued from previous page...

Mol	Chain	Res	Type
1	B	50	PHE
1	B	173	ARG
1	B	265	ARG
1	B	609	THR
1	C	50	PHE
1	C	173	ARG
1	C	265	ARG
1	D	50	PHE
1	D	115	ARG
1	D	173	ARG
1	D	265	ARG

Sometimes sidechains can be flipped to improve hydrogen bonding and reduce clashes. All (2) such sidechains are listed below:

Mol	Chain	Res	Type
1	B	347	GLN
1	B	418	ASN

5.3.3 RNA [i](#)

There are no RNA molecules in this entry.

5.4 Non-standard residues in protein, DNA, RNA chains [i](#)

There are no non-standard protein/DNA/RNA residues in this entry.

5.5 Carbohydrates [i](#)

There are no monosaccharides in this entry.

5.6 Ligand geometry [i](#)

5 ligands are modelled in this entry.

In the following table, the Counts columns list the number of bonds (or angles) for which Mogul statistics could be retrieved, the number of bonds (or angles) that are observed in the model and the number of bonds (or angles) that are defined in the Chemical Component Dictionary. The Link column lists molecule types, if any, to which the group is linked. The Z score for a bond length (or angle) is the number of standard deviations the observed value is removed from the

expected value. A bond length (or angle) with $|Z| > 2$ is considered an outlier worth inspection. RMSZ is the root-mean-square of all Z scores of the bond lengths (or angles).

Mol	Type	Chain	Res	Link	Bond lengths			Bond angles		
					Counts	RMSZ	# $ Z > 2$	Counts	RMSZ	# $ Z > 2$
2	13D	A	1609	-	4,4,4	0.50	0	3,3,3	0.61	0
2	13D	B	1611	-	4,4,4	0.45	0	3,3,3	0.27	0
2	13D	B	1610	-	4,4,4	0.45	0	3,3,3	0.17	0
2	13D	A	1610	-	4,4,4	0.46	0	3,3,3	0.42	0
3	GOL	D	1609	-	5,5,5	0.13	0	5,5,5	0.57	0

In the following table, the Chirals column lists the number of chiral outliers, the number of chiral centers analysed, the number of these observed in the model and the number defined in the Chemical Component Dictionary. Similar counts are reported in the Torsion and Rings columns. '-' means no outliers of that kind were identified.

Mol	Type	Chain	Res	Link	Chirals	Torsions	Rings
2	13D	A	1609	-	-	0/2/2/2	-
2	13D	B	1611	-	-	2/2/2/2	-
2	13D	B	1610	-	-	2/2/2/2	-
2	13D	A	1610	-	-	0/2/2/2	-
3	GOL	D	1609	-	-	2/4/4/4	-

There are no bond length outliers.

There are no bond angle outliers.

There are no chirality outliers.

All (6) torsion outliers are listed below:

Mol	Chain	Res	Type	Atoms
3	D	1609	GOL	O1-C1-C2-O2
3	D	1609	GOL	O1-C1-C2-C3
2	B	1610	13D	CA-CB-CC-ND
2	B	1611	13D	CA-CB-CC-ND
2	B	1611	13D	NAA-CA-CB-CC
2	B	1610	13D	NAA-CA-CB-CC

There are no ring outliers.

1 monomer is involved in 1 short contact:

Mol	Chain	Res	Type	Clashes	Symm-Clashes
2	A	1610	13D	1	0

5.7 Other polymers [i](#)

There are no such residues in this entry.

5.8 Polymer linkage issues [i](#)

There are no chain breaks in this entry.

6 Fit of model and data

6.1 Protein, DNA and RNA chains

In the following table, the column labelled ‘#RSRZ > 2’ contains the number (and percentage) of RSRZ outliers, followed by percent RSRZ outliers for the chain as percentile scores relative to all X-ray entries and entries of similar resolution. The OWAB column contains the minimum, median, 95th percentile and maximum values of the occupancy-weighted average B-factor per residue. The column labelled ‘Q < 0.9’ lists the number of (and percentage) of residues with an average occupancy less than 0.9.

Mol	Chain	Analysed	<RSRZ>	#RSRZ>2	OWAB(Å ²)	Q<0.9
1	A	579/579 (100%)	-0.21	8 (1%) 75 83	11, 21, 36, 57	0
1	B	578/579 (99%)	-0.25	4 (0%) 87 92	9, 19, 33, 54	0
1	C	578/579 (99%)	0.01	16 (2%) 53 64	10, 26, 43, 65	0
1	D	577/579 (99%)	0.13	25 (4%) 35 47	13, 29, 47, 62	0
All	All	2312/2316 (99%)	-0.08	53 (2%) 60 70	9, 23, 43, 65	0

All (53) RSRZ outliers are listed below:

Mol	Chain	Res	Type	RSRZ
1	D	187	ALA	5.4
1	C	187	ALA	3.9
1	C	506	ASN	3.9
1	C	508	ILE	3.7
1	C	182	TRP	3.7
1	D	186	ALA	3.6
1	C	179	GLY	3.5
1	D	508	ILE	3.5
1	B	609	THR	3.5
1	C	505	GLY	3.4
1	B	508	ILE	3.4
1	D	509	GLN	3.3
1	D	584	GLY	3.1
1	D	393	SER	3.1
1	D	592	PHE	3.0
1	B	289	ARG	2.8
1	D	583	LEU	2.8
1	D	190	ASN	2.8
1	D	582	SER	2.8
1	A	372	ASN	2.7
1	C	509	GLN	2.7

Continued on next page...

Continued from previous page...

Mol	Chain	Res	Type	RSRZ
1	D	547	ASN	2.7
1	C	185	ASP	2.6
1	D	506	ASN	2.6
1	D	180	GLN	2.6
1	C	91	PHE	2.6
1	D	122	THR	2.4
1	A	509	GLN	2.4
1	C	186	ALA	2.4
1	D	192	ARG	2.4
1	D	91	PHE	2.4
1	A	190	ASN	2.4
1	C	180	GLN	2.3
1	C	184	PHE	2.3
1	C	178	PHE	2.3
1	A	186	ALA	2.3
1	A	91	PHE	2.3
1	D	510	ASN	2.3
1	D	483	PHE	2.2
1	D	586	ILE	2.2
1	D	560	THR	2.2
1	C	189	ILE	2.2
1	D	185	ASP	2.2
1	D	504	SER	2.1
1	A	209	ARG	2.1
1	C	289	ARG	2.1
1	A	31	THR	2.1
1	B	68	PHE	2.1
1	D	525	THR	2.1
1	A	376	ASN	2.1
1	D	188	THR	2.1
1	D	139	SER	2.1
1	C	126	LEU	2.0

6.2 Non-standard residues in protein, DNA, RNA chains [i](#)

There are no non-standard protein/DNA/RNA residues in this entry.

6.3 Carbohydrates [i](#)

There are no monosaccharides in this entry.

6.4 Ligands [i](#)

In the following table, the Atoms column lists the number of modelled atoms in the group and the number defined in the chemical component dictionary. The B-factors column lists the minimum, median, 95th percentile and maximum values of B factors of atoms in the group. The column labelled 'Q < 0.9' lists the number of atoms with occupancy less than 0.9.

Mol	Type	Chain	Res	Atoms	RSCC	RSR	B-factors(\AA^2)	Q<0.9
2	13D	B	1610	5/5	0.83	0.21	27,28,29,29	0
3	GOL	D	1609	6/6	0.86	0.20	47,50,51,55	0
2	13D	A	1610	5/5	0.91	0.18	21,21,22,22	0
2	13D	B	1611	5/5	0.93	0.11	23,25,25,26	0
2	13D	A	1609	5/5	0.94	0.17	10,10,10,11	0

6.5 Other polymers [i](#)

There are no such residues in this entry.