



Full wwPDB X-ray Structure Validation Report ⓘ

May 21, 2020 – 07:32 pm BST

PDB ID : 3ZLC
Title : Crystal Structure of Erv41p
Authors : Biterova, E.I.; Svard, M.; Possner, D.D.D.; Guy, J.E.
Deposited on : 2013-01-30
Resolution : 2.00 Å(reported)

This is a Full wwPDB X-ray Structure Validation Report for a publicly released PDB entry.

We welcome your comments at validation@mail.wwpdb.org

A user guide is available at

<https://www.wwpdb.org/validation/2017/XrayValidationReportHelp>

with specific help available everywhere you see the ⓘ symbol.

The following versions of software and data (see [references ⓘ](#)) were used in the production of this report:

MolProbity : 4.02b-467
Xtrriage (Phenix) : 1.13
EDS : 2.11
Percentile statistics : 20191225.v01 (using entries in the PDB archive December 25th 2019)
Refmac : 5.8.0158
CCP4 : 7.0.044 (Gargrove)
Ideal geometry (proteins) : Engh & Huber (2001)
Ideal geometry (DNA, RNA) : Parkinson et al. (1996)
Validation Pipeline (wwPDB-VP) : 2.11

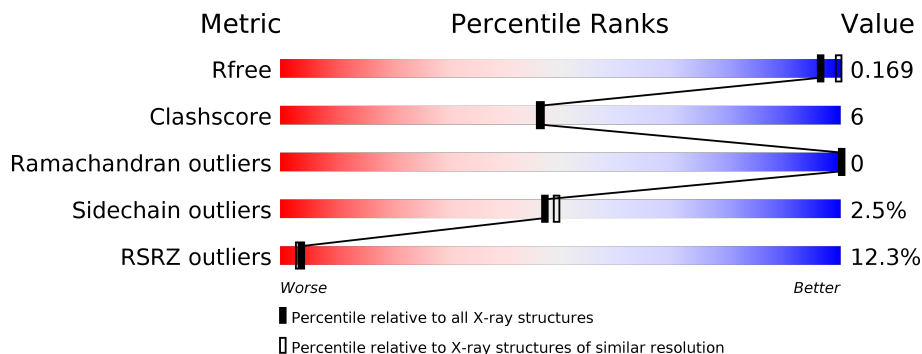
1 Overall quality at a glance

The following experimental techniques were used to determine the structure:

X-RAY DIFFRACTION

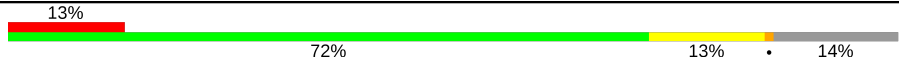

The reported resolution of this entry is 2.00 Å.

Percentile scores (ranging between 0-100) for global validation metrics of the entry are shown in the following graphic. The table shows the number of entries on which the scores are based.



Metric	Whole archive (#Entries)	Similar resolution (#Entries, resolution range(Å))
R_{free}	130704	8085 (2.00-2.00)
Clashscore	141614	9178 (2.00-2.00)
Ramachandran outliers	138981	9054 (2.00-2.00)
Sidechain outliers	138945	9053 (2.00-2.00)
RSRZ outliers	127900	7900 (2.00-2.00)

The table below summarises the geometric issues observed across the polymeric chains and their fit to the electron density. The red, orange, yellow and green segments on the lower bar indicate the fraction of residues that contain outliers for ≥ 3 , 2, 1 and 0 types of geometric quality criteria respectively. A grey segment represents the fraction of residues that are not modelled. The numeric value for each fraction is indicated below the corresponding segment, with a dot representing fractions $\leq 5\%$. The upper red bar (where present) indicates the fraction of residues that have poor fit to the electron density. The numeric value is given above the bar.

Mol	Chain	Length	Quality of chain
1	A	252	
1	B	252	

2 Entry composition i

There are 2 unique types of molecules in this entry. The entry contains 3868 atoms, of which 0 are hydrogens and 0 are deuteriums.

In the tables below, the ZeroOcc column contains the number of atoms modelled with zero occupancy, the AltConf column contains the number of residues with at least one atom in alternate conformation and the Trace column contains the number of residues modelled with at most 2 atoms.

- Molecule 1 is a protein called ER-DERIVED VESICLES PROTEIN ERV41.

Mol	Chain	Residues	Atoms					ZeroOcc	AltConf	Trace
			Total	C	N	O	S			
1	A	216	Total	C	N	O	S	0	7	0
			1817	1171	289	350	7			
1	B	216	Total	C	N	O	S	0	7	0
			1811	1171	281	353	6			

There are 6 discrepancies between the modelled and reference sequences:

Chain	Residue	Modelled	Actual	Comment	Reference
A	46	GLY	-	expression tag	UNP Q04651
A	47	ALA	-	expression tag	UNP Q04651
A	48	MET	-	expression tag	UNP Q04651
B	46	GLY	-	expression tag	UNP Q04651
B	47	ALA	-	expression tag	UNP Q04651
B	48	MET	-	expression tag	UNP Q04651

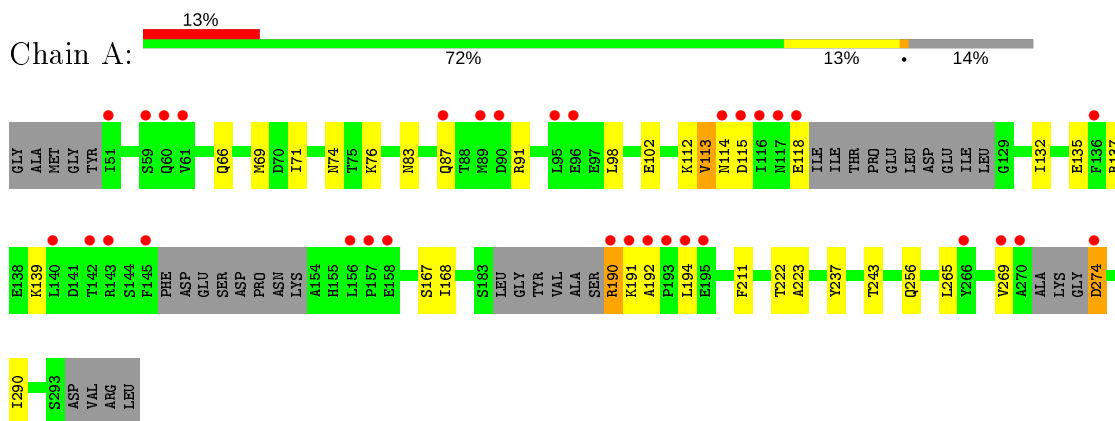
- Molecule 2 is water.

Mol	Chain	Residues	Atoms		ZeroOcc	AltConf
2	A	135	Total	O	0	0
			135	135		
2	B	105	Total	O	0	0
			105	105		

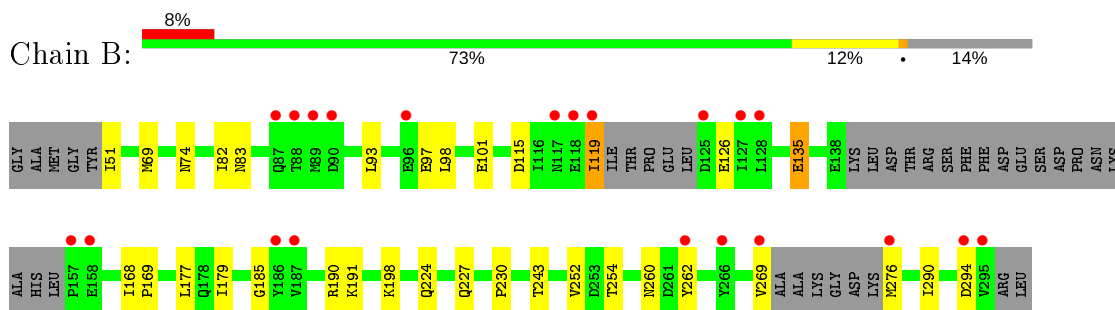
3 Residue-property plots [i](#)

These plots are drawn for all protein, RNA and DNA chains in the entry. The first graphic for a chain summarises the proportions of the various outlier classes displayed in the second graphic. The second graphic shows the sequence view annotated by issues in geometry and electron density. Residues are color-coded according to the number of geometric quality criteria for which they contain at least one outlier: green = 0, yellow = 1, orange = 2 and red = 3 or more. A red dot above a residue indicates a poor fit to the electron density ($RSRZ > 2$). Stretches of 2 or more consecutive residues without any outlier are shown as a green connector. Residues present in the sample, but not in the model, are shown in grey.

- Molecule 1: ER-DERIVED VESICLES PROTEIN ERV41



- Molecule 1: ER-DERIVED VESICLES PROTEIN ERV41



4 Data and refinement statistics

Property	Value	Source
Space group	P 1 21 1	Depositor
Cell constants a, b, c, α , β , γ	49.78Å 76.94Å 65.12Å 90.00° 104.77° 90.00°	Depositor
Resolution (Å)	48.14 – 2.00 48.14 – 2.00	Depositor EDS
% Data completeness (in resolution range)	98.8 (48.14-2.00) 99.2 (48.14-2.00)	Depositor EDS
R_{merge}	0.05	Depositor
R_{sym}	(Not available)	Depositor
$\langle I/\sigma(I) \rangle$ ¹	3.36 (at 2.00Å)	Xtrriage
Refinement program	PHENIX (PHENIX.REFINE)	Depositor
R, R_{free}	0.165 , 0.206 0.175 , 0.169	Depositor DCC
R_{free} test set	1620 reflections (5.07%)	wwPDB-VP
Wilson B-factor (Å ²)	23.6	Xtrriage
Anisotropy	0.268	Xtrriage
Bulk solvent k_{sol} (e/Å ³), B_{sol} (Å ²)	0.35 , 60.1	EDS
L-test for twinning ²	$\langle L \rangle = 0.49$, $\langle L^2 \rangle = 0.32$	Xtrriage
Estimated twinning fraction	No twinning to report.	Xtrriage
F_o, F_c correlation	0.96	EDS
Total number of atoms	3868	wwPDB-VP
Average B, all atoms (Å ²)	36.0	wwPDB-VP

Xtrriage's analysis on translational NCS is as follows: *The largest off-origin peak in the Patterson function is 5.88% of the height of the origin peak. No significant pseudotranslation is detected.*

¹Intensities estimated from amplitudes.

²Theoretical values of $\langle |L| \rangle$, $\langle L^2 \rangle$ for acentric reflections are 0.5, 0.333 respectively for untwinned datasets, and 0.375, 0.2 for perfectly twinned datasets.

5 Model quality [i](#)

5.1 Standard geometry [i](#)

The Z score for a bond length (or angle) is the number of standard deviations the observed value is removed from the expected value. A bond length (or angle) with $|Z| > 5$ is considered an outlier worth inspection. RMSZ is the root-mean-square of all Z scores of the bond lengths (or angles).

Mol	Chain	Bond lengths		Bond angles	
		RMSZ	# Z >5	RMSZ	# Z >5
1	A	0.42	0/1875	0.59	0/2542
1	B	0.43	0/1870	0.58	0/2541
All	All	0.42	0/3745	0.59	0/5083

Chiral center outliers are detected by calculating the chiral volume of a chiral center and verifying if the center is modelled as a planar moiety or with the opposite hand. A planarity outlier is detected by checking planarity of atoms in a peptide group, atoms in a mainchain group or atoms of a sidechain that are expected to be planar.

Mol	Chain	#Chirality outliers	#Planarity outliers
1	A	0	1

There are no bond length outliers.

There are no bond angle outliers.

There are no chirality outliers.

All (1) planarity outliers are listed below:

Mol	Chain	Res	Type	Group
1	A	113	VAL	Peptide

5.2 Too-close contacts [i](#)

In the following table, the Non-H and H(model) columns list the number of non-hydrogen atoms and hydrogen atoms in the chain respectively. The H(added) column lists the number of hydrogen atoms added and optimized by MolProbity. The Clashes column lists the number of clashes within the asymmetric unit, whereas Symm-Clashes lists symmetry related clashes.

Mol	Chain	Non-H	H(model)	H(added)	Clashes	Symm-Clashes
1	A	1817	0	1761	28	0
1	B	1811	0	1754	19	0
2	A	135	0	0	11	1

Continued on next page...

Continued from previous page...

Mol	Chain	Non-H	H(model)	H(added)	Clashes	Symm-Clashes
2	B	105	0	0	4	0
All	All	3868	0	3515	45	1

The all-atom clashscore is defined as the number of clashes found per 1000 atoms (including hydrogen atoms). The all-atom clashscore for this structure is 6.

All (45) close contacts within the same asymmetric unit are listed below, sorted by their clash magnitude.

Atom-1	Atom-2	Interatomic distance (Å)	Clash overlap (Å)
1:A:83[B]:ASN:ND2	2:A:2031:HOH:O	2.19	0.76
1:B:135:GLU:OE1	1:B:227:GLN:NE2	2.20	0.74
1:A:87:GLN:NE2	2:A:2035:HOH:O	2.22	0.73
1:A:135:GLU:O	1:A:139:LYS:NZ	2.25	0.69
1:B:276:MET:N	2:B:2071:HOH:O	2.28	0.67
1:A:194:LEU:O	2:A:2094:HOH:O	2.15	0.64
1:A:114:ASN:ND2	1:A:223:ALA:H	1.96	0.63
1:A:274:ASP:N	1:A:274:ASP:OD1	2.31	0.63
1:B:98:LEU:HD11	1:B:168:ILE:HD11	1.80	0.62
2:A:2109:HOH:O	1:B:262[B]:TYR:OH	2.15	0.62
1:B:190:ARG:NH1	2:B:2070:HOH:O	2.32	0.62
1:A:256:GLN:OE1	1:B:260[B]:ASN:ND2	2.36	0.59
1:B:269:VAL:O	2:B:2105:HOH:O	2.17	0.58
1:A:191:LYS:HB2	2:A:2090:HOH:O	2.04	0.57
1:A:102:GLU:OE2	2:A:2026:HOH:O	2.18	0.56
1:A:112:LYS:O	1:A:114:ASN:ND2	2.38	0.56
1:B:101:GLU:OE1	2:B:2036:HOH:O	2.18	0.54
1:B:82:ILE:HD12	1:B:179:ILE:HG12	1.89	0.52
1:A:114:ASN:HB2	2:A:2065:HOH:O	2.11	0.50
1:A:69[B]:MET:HG2	1:A:71[B]:ILE:HG22	1.94	0.50
1:A:269:VAL:HG13	1:A:274:ASP:O	2.12	0.49
1:B:185:GLY:O	1:B:191:LYS:NZ	2.44	0.49
1:A:113:VAL:HG21	1:A:132:ILE:HD11	1.94	0.49
1:B:115:ASP:HB3	1:B:224:GLN:OE1	2.13	0.49
1:A:243:THR:HG22	1:A:290:ILE:HB	1.94	0.48
1:A:76:LYS:HG2	2:A:2022:HOH:O	2.14	0.48
1:A:118:GLU:O	2:A:2066:HOH:O	2.20	0.47
1:A:190:ARG:HD2	1:A:190:ARG:HA	1.58	0.47
1:B:97:GLU:HG2	1:B:169:PRO:HD2	1.96	0.46
1:A:192:ALA:HB2	2:A:2029:HOH:O	2.14	0.46
1:A:114:ASN:ND2	1:A:222:THR:HB	2.32	0.45
1:B:83:ASN:HD22	1:B:93:LEU:HA	1.83	0.44

Continued on next page...

Continued from previous page...

Atom-1	Atom-2	Interatomic distance (Å)	Clash overlap (Å)
1:A:265:LEU:HD22	1:A:265:LEU:H	1.83	0.44
1:A:137:ARG:NH1	2:A:2052:HOH:O	2.52	0.43
1:A:66:GLN:NE2	1:A:167[B]:SER:OG	2.40	0.43
1:B:198[B]:LYS:HG2	1:B:230:PRO:HB3	2.01	0.43
1:A:115:ASP:O	1:A:118:GLU:N	2.49	0.43
1:A:98:LEU:HD11	1:A:168:ILE:HD11	2.00	0.43
1:B:252:VAL:HG12	1:B:254:THR:HG23	2.01	0.42
1:A:69[B]:MET:HG2	1:A:71[B]:ILE:CG2	2.50	0.41
1:B:119:ILE:HG13	1:B:119:ILE:H	1.37	0.41
1:A:114:ASN:HD22	1:A:223:ALA:H	1.65	0.41
1:B:243[A]:THR:HG22	1:B:290:ILE:HB	2.02	0.41
1:B:69:MET:SD	1:B:177:LEU:HD21	2.61	0.40
1:A:237:TYR:OH	1:B:51:ILE:HB	2.21	0.40

All (1) symmetry-related close contacts are listed below. The label for Atom-2 includes the symmetry operator and encoded unit-cell translations to be applied.

Atom-1	Atom-2	Interatomic distance (Å)	Clash overlap (Å)
2:A:2035:HOH:O	2:A:2078:HOH:O[1_655]	2.02	0.18

5.3 Torsion angles [i](#)

5.3.1 Protein backbone [i](#)

In the following table, the Percentiles column shows the percent Ramachandran outliers of the chain as a percentile score with respect to all X-ray entries followed by that with respect to entries of similar resolution.

The Analysed column shows the number of residues for which the backbone conformation was analysed, and the total number of residues.

Mol	Chain	Analysed	Favoured	Allowed	Outliers	Percentiles	
1	A	213/252 (84%)	205 (96%)	8 (4%)	0	100	100
1	B	215/252 (85%)	203 (94%)	12 (6%)	0	100	100
All	All	428/504 (85%)	408 (95%)	20 (5%)	0	100	100

There are no Ramachandran outliers to report.

5.3.2 Protein sidechains [i](#)

In the following table, the Percentiles column shows the percent sidechain outliers of the chain as a percentile score with respect to all X-ray entries followed by that with respect to entries of similar resolution.

The Analysed column shows the number of residues for which the sidechain conformation was analysed, and the total number of residues.

Mol	Chain	Analysed	Rotameric	Outliers	Percentiles	
1	A	208/230 (90%)	203 (98%)	5 (2%)	49	51
1	B	208/230 (90%)	203 (98%)	5 (2%)	49	51
All	All	416/460 (90%)	406 (98%)	10 (2%)	47	51

All (10) residues with a non-rotameric sidechain are listed below:

Mol	Chain	Res	Type
1	A	74	ASN
1	A	91	ARG
1	A	190	ARG
1	A	211	PHE
1	A	274	ASP
1	B	74	ASN
1	B	119	ILE
1	B	126	GLU
1	B	135	GLU
1	B	294	ASP

Some sidechains can be flipped to improve hydrogen bonding and reduce clashes. All (1) such sidechains are listed below:

Mol	Chain	Res	Type
1	A	114	ASN

5.3.3 RNA [i](#)

There are no RNA molecules in this entry.

5.4 Non-standard residues in protein, DNA, RNA chains [i](#)

There are no non-standard protein/DNA/RNA residues in this entry.

5.5 Carbohydrates [i](#)

There are no carbohydrates in this entry.

5.6 Ligand geometry [i](#)

There are no ligands in this entry.

5.7 Other polymers [i](#)

There are no such residues in this entry.

5.8 Polymer linkage issues [i](#)

There are no chain breaks in this entry.

6 Fit of model and data [i](#)

6.1 Protein, DNA and RNA chains [i](#)

In the following table, the column labelled ‘#RSRZ> 2’ contains the number (and percentage) of RSRZ outliers, followed by percent RSRZ outliers for the chain as percentile scores relative to all X-ray entries and entries of similar resolution. The OWAB column contains the minimum, median, 95th percentile and maximum values of the occupancy-weighted average B-factor per residue. The column labelled ‘Q< 0.9’ lists the number of (and percentage) of residues with an average occupancy less than 0.9.

Mol	Chain	Analysed	<RSRZ>	#RSRZ>2	OWAB(Å ²)	Q<0.9
1	A	216/252 (85%)	0.56	32 (14%) 2 2	13, 30, 74, 120	0
1	B	216/252 (85%)	0.47	21 (9%) 7 7	13, 29, 79, 104	0
All	All	432/504 (85%)	0.52	53 (12%) 4 3	13, 30, 78, 120	0

All (53) RSRZ outliers are listed below:

Mol	Chain	Res	Type	RSRZ
1	B	295	VAL	8.7
1	B	186	TYR	6.2
1	A	274	ASP	6.1
1	A	59	SER	5.2
1	A	116	ILE	5.1
1	A	60	GLN	5.1
1	A	117	ASN	4.8
1	A	270	ALA	4.8
1	A	61	VAL	4.2
1	A	269	VAL	3.9
1	A	191	LYS	3.8
1	B	90	ASP	3.7
1	B	269	VAL	3.6
1	A	95	LEU	3.4
1	B	118	GLU	3.3
1	A	51	ILE	3.3
1	B	89	MET	3.3
1	A	90	ASP	3.3
1	B	157	PRO	3.2
1	A	157	PRO	3.2
1	A	114	ASN	3.1
1	A	142	THR	3.1
1	B	119	ILE	3.0
1	B	266	TYR	3.0

Continued on next page...

Continued from previous page...

Mol	Chain	Res	Type	RSRZ
1	A	190	ARG	2.9
1	B	127	ILE	2.9
1	A	266	TYR	2.8
1	A	118	GLU	2.8
1	B	88	THR	2.8
1	A	156	LEU	2.7
1	B	262[A]	TYR	2.7
1	B	117	ASN	2.7
1	A	192	ALA	2.5
1	A	158	GLU	2.5
1	B	87	GLN	2.4
1	A	193	PRO	2.3
1	A	145	PHE	2.3
1	B	96	GLU	2.3
1	A	140	LEU	2.3
1	A	96	GLU	2.3
1	A	143	ARG	2.2
1	B	128	LEU	2.2
1	B	294	ASP	2.2
1	A	87	GLN	2.2
1	A	89	MET	2.2
1	B	125	ASP	2.2
1	B	276	MET	2.1
1	B	187	VAL	2.1
1	A	195	GLU	2.1
1	A	136	PHE	2.1
1	A	115	ASP	2.1
1	A	194	LEU	2.1
1	B	158	GLU	2.0

6.2 Non-standard residues in protein, DNA, RNA chains [i](#)

There are no non-standard protein/DNA/RNA residues in this entry.

6.3 Carbohydrates [i](#)

There are no carbohydrates in this entry.

6.4 Ligands [i](#)

There are no ligands in this entry.

6.5 Other polymers

There are no such residues in this entry.