



# Full wwPDB X-ray Structure Validation Report ⓘ

Sep 17, 2023 – 11:51 AM EDT

PDB ID : 4YP0  
Title : Crystal structure of *T. cruzi* Histidyl-tRNA synthetase in complex with 5-aminoisoquinoline (Chem 79)  
Authors : Koh, C.-Y.; Hol, W.G.J.  
Deposited on : 2015-03-12  
Resolution : 2.10 Å (reported)

This is a Full wwPDB X-ray Structure Validation Report for a publicly released PDB entry.

We welcome your comments at [validation@mail.wwpdb.org](mailto:validation@mail.wwpdb.org)

A user guide is available at

<https://www.wwpdb.org/validation/2017/XrayValidationReportHelp>

with specific help available everywhere you see the ⓘ symbol.

The types of validation reports are described at

<http://www.wwpdb.org/validation/2017/FAQs#types>.

---

The following versions of software and data (see [references ⓘ](#)) were used in the production of this report:

MolProbity : 4.02b-467  
Mogul : 1.8.5 (274361), CSD as541be (2020)  
Xtriage (Phenix) : 1.13  
EDS : 2.35.1  
Percentile statistics : 20191225.v01 (using entries in the PDB archive December 25th 2019)  
Refmac : 5.8.0158  
CCP4 : 7.0.044 (Gargrove)  
Ideal geometry (proteins) : Engh & Huber (2001)  
Ideal geometry (DNA, RNA) : Parkinson et al. (1996)  
Validation Pipeline (wwPDB-VP) : 2.35.1

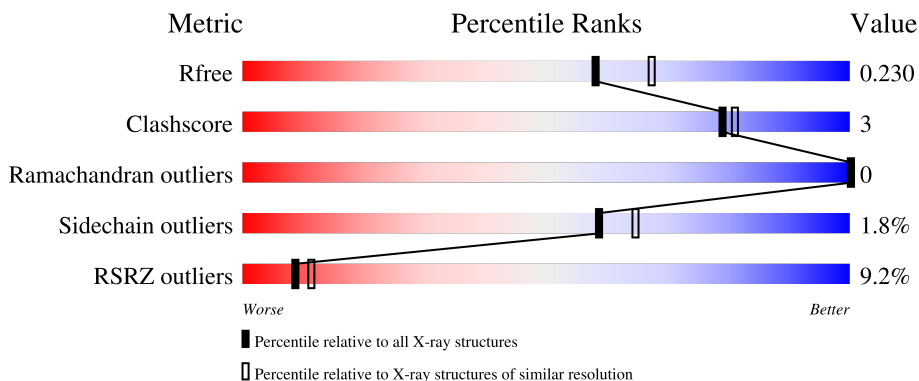
# 1 Overall quality at a glance

The following experimental techniques were used to determine the structure:

*X-RAY DIFFRACTION*

The reported resolution of this entry is 2.10 Å.

Percentile scores (ranging between 0-100) for global validation metrics of the entry are shown in the following graphic. The table shows the number of entries on which the scores are based.



Metric	Whole archive (#Entries)	Similar resolution (#Entries, resolution range(Å))
$R_{free}$	130704	5197 (2.10-2.10)
Clashscore	141614	5710 (2.10-2.10)
Ramachandran outliers	138981	5647 (2.10-2.10)
Sidechain outliers	138945	5648 (2.10-2.10)
RSRZ outliers	127900	5083 (2.10-2.10)

The table below summarises the geometric issues observed across the polymeric chains and their fit to the electron density. The red, orange, yellow and green segments of the lower bar indicate the fraction of residues that contain outliers for  $\geq 3$ , 2, 1 and 0 types of geometric quality criteria respectively. A grey segment represents the fraction of residues that are not modelled. The numeric value for each fraction is indicated below the corresponding segment, with a dot representing fractions  $\leq 5\%$ . The upper red bar (where present) indicates the fraction of residues that have poor fit to the electron density. The numeric value is given above the bar.

Mol	Chain	Length	Quality of chain
1	A	456	

## 2 Entry composition [i](#)

There are 7 unique types of molecules in this entry. The entry contains 3417 atoms, of which 0 are hydrogens and 0 are deuteriums.

In the tables below, the ZeroOcc column contains the number of atoms modelled with zero occupancy, the AltConf column contains the number of residues with at least one atom in alternate conformation and the Trace column contains the number of residues modelled with at most 2 atoms.

- Molecule 1 is a protein called Histidyl-tRNA synthetase.

Mol	Chain	Residues	Atoms					ZeroOcc	AltConf	Trace
			Total	C	N	O	S			
1	A	415	3208	2048	556	585	19	0	2	0

There are 22 discrepancies between the modelled and reference sequences:

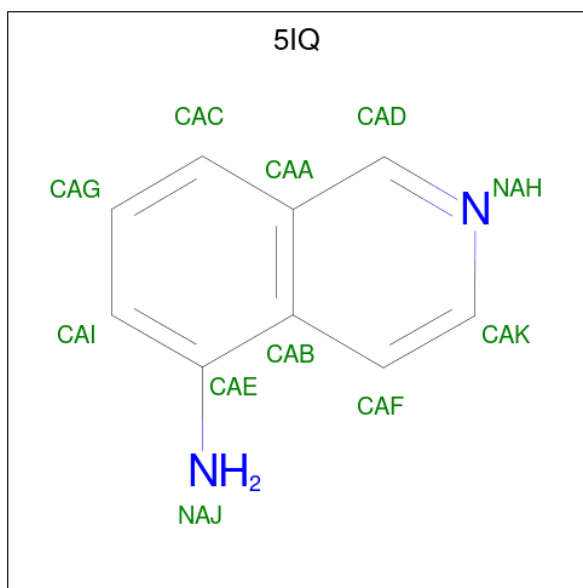
Chain	Residue	Modelled	Actual	Comment	Reference
A	-21	MET	-	initiating methionine	UNP Q4DA54
A	-20	ALA	-	expression tag	UNP Q4DA54
A	-19	HIS	-	expression tag	UNP Q4DA54
A	-18	HIS	-	expression tag	UNP Q4DA54
A	-17	HIS	-	expression tag	UNP Q4DA54
A	-16	HIS	-	expression tag	UNP Q4DA54
A	-15	HIS	-	expression tag	UNP Q4DA54
A	-14	HIS	-	expression tag	UNP Q4DA54
A	-13	MET	-	expression tag	UNP Q4DA54
A	-12	GLY	-	expression tag	UNP Q4DA54
A	-11	THR	-	expression tag	UNP Q4DA54
A	-10	LEU	-	expression tag	UNP Q4DA54
A	-9	GLU	-	expression tag	UNP Q4DA54
A	-8	ALA	-	expression tag	UNP Q4DA54
A	-7	GLN	-	expression tag	UNP Q4DA54
A	-6	THR	-	expression tag	UNP Q4DA54
A	-5	GLN	-	expression tag	UNP Q4DA54
A	-4	GLY	-	expression tag	UNP Q4DA54
A	-3	PRO	-	expression tag	UNP Q4DA54
A	-2	GLY	-	expression tag	UNP Q4DA54
A	-1	SER	-	expression tag	UNP Q4DA54
A	0	MET	-	expression tag	UNP Q4DA54

- Molecule 2 is HISTIDINE (three-letter code: HIS) (formula: C<sub>6</sub>H<sub>10</sub>N<sub>3</sub>O<sub>2</sub>).



Mol	Chain	Residues	Atoms				ZeroOcc	AltConf
			Total	C	N	O		
2	A	1	11	6	3	2	0	0

- Molecule 3 is ISOQUINOLIN-5-AMINE (three-letter code: 5IQ) (formula: C<sub>9</sub>H<sub>8</sub>N<sub>2</sub>).



Mol	Chain	Residues	Atoms			ZeroOcc	AltConf
			Total	C	N		
3	A	1	22	18	4	0	1

- Molecule 4 is DIMETHYL SULFOXIDE (three-letter code: DMS) (formula: C<sub>2</sub>H<sub>6</sub>OS).



Mol	Chain	Residues	Atoms			ZeroOcc	AltConf	
4	A	1	Total	C	O	S	0	0
			4	2	1	1		
4	A	1	Total	C	O	S	0	0
			4	2	1	1		

- Molecule 5 is SULFATE ION (three-letter code: SO<sub>4</sub>) (formula: O<sub>4</sub>S).



Mol	Chain	Residues	Atoms			ZeroOcc	AltConf
5	A	1	Total	O	S	0	0
			5	4	1		
5	A	1	Total	O	S	0	0
			5	4	1		

- Molecule 6 is 1,2-ETHANEDIOL (three-letter code: EDO) (formula: C<sub>2</sub>H<sub>6</sub>O<sub>2</sub>).



Mol	Chain	Residues	Atoms	ZeroOcc	AltConf
6	A	1	Total C O 4 2 2	0	0


- Molecule 7 is water.

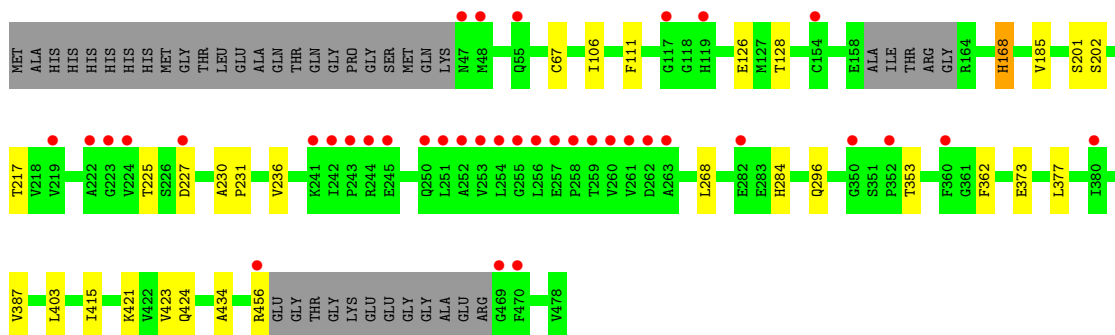
Mol	Chain	Residues	Atoms	ZeroOcc	AltConf
7	A	154	Total O 154 154	0	0

### 3 Residue-property plots [i](#)

These plots are drawn for all protein, RNA, DNA and oligosaccharide chains in the entry. The first graphic for a chain summarises the proportions of the various outlier classes displayed in the second graphic. The second graphic shows the sequence view annotated by issues in geometry and electron density. Residues are color-coded according to the number of geometric quality criteria for which they contain at least one outlier: green = 0, yellow = 1, orange = 2 and red = 3 or more. A red dot above a residue indicates a poor fit to the electron density ( $RSRZ > 2$ ). Stretches of 2 or more consecutive residues without any outlier are shown as a green connector. Residues present in the sample, but not in the model, are shown in grey.

- Molecule 1: Histidyl-tRNA synthetase

Chain A: 



## 4 Data and refinement statistics i

Property	Value	Source
Space group	I 1 2 1	Depositor
Cell constants a, b, c, $\alpha$ , $\beta$ , $\gamma$	64.81Å 118.87Å 65.90Å 90.00° 92.93° 90.00°	Depositor
Resolution (Å)	33.95 – 2.10 33.95 – 2.10	Depositor EDS
% Data completeness (in resolution range)	95.0 (33.95-2.10) 95.1 (33.95-2.10)	Depositor EDS
$R_{merge}$	0.05	Depositor
$R_{sym}$	(Not available)	Depositor
$\langle I/\sigma(I) \rangle$ <sup>1</sup>	2.06 (at 2.10Å)	Xtrriage
Refinement program	REFMAC refmac_5.8.0073	Depositor
R, $R_{free}$	0.188 , 0.226 0.193 , 0.230	Depositor DCC
$R_{free}$ test set	1430 reflections (5.17%)	wwPDB-VP
Wilson B-factor (Å <sup>2</sup> )	33.2	Xtrriage
Anisotropy	0.263	Xtrriage
Bulk solvent $k_{sol}$ (e/Å <sup>3</sup> ), $B_{sol}$ (Å <sup>2</sup> )	0.35 , 47.4	EDS
L-test for twinning <sup>2</sup>	$\langle  L  \rangle = 0.47$ , $\langle L^2 \rangle = 0.30$	Xtrriage
Estimated twinning fraction	0.011 for l,k,-h 0.045 for h,-k,-l 0.048 for l,-k,h	Xtrriage
$F_o, F_c$ correlation	0.95	EDS
Total number of atoms	3417	wwPDB-VP
Average B, all atoms (Å <sup>2</sup> )	46.0	wwPDB-VP

Xtrriage's analysis on translational NCS is as follows: *The largest off-origin peak in the Patterson function is 6.39% of the height of the origin peak. No significant pseudotranslation is detected.*

<sup>1</sup>Intensities estimated from amplitudes.

<sup>2</sup>Theoretical values of  $\langle |L| \rangle$ ,  $\langle L^2 \rangle$  for acentric reflections are 0.5, 0.333 respectively for untwinned datasets, and 0.375, 0.2 for perfectly twinned datasets.



## 5 Model quality [i](#)

### 5.1 Standard geometry [i](#)

Bond lengths and bond angles in the following residue types are not validated in this section: EDO, 5IQ, SO4, DMS

The Z score for a bond length (or angle) is the number of standard deviations the observed value is removed from the expected value. A bond length (or angle) with  $|Z| > 5$  is considered an outlier worth inspection. RMSZ is the root-mean-square of all Z scores of the bond lengths (or angles).

Mol	Chain	Bond lengths		Bond angles	
		RMSZ	# Z  >5	RMSZ	# Z  >5
1	A	0.37	0/3281	0.58	0/4452

There are no bond length outliers.

There are no bond angle outliers.

There are no chirality outliers.

There are no planarity outliers.

### 5.2 Too-close contacts [i](#)

In the following table, the Non-H and H(model) columns list the number of non-hydrogen atoms and hydrogen atoms in the chain respectively. The H(added) column lists the number of hydrogen atoms added and optimized by MolProbity. The Clashes column lists the number of clashes within the asymmetric unit, whereas Symm-Clashes lists symmetry-related clashes.

Mol	Chain	Non-H	H(model)	H(added)	Clashes	Symm-Clashes
1	A	3208	0	3144	17	0
2	A	11	0	6	1	0
3	A	22	0	16	1	0
4	A	8	0	12	1	0
5	A	10	0	0	2	0
6	A	4	0	6	0	0
7	A	154	0	0	1	0
All	All	3417	0	3184	18	0

The all-atom clashscore is defined as the number of clashes found per 1000 atoms (including hydrogen atoms). The all-atom clashscore for this structure is 3.

All (18) close contacts within the same asymmetric unit are listed below, sorted by their clash magnitude.

Atom-1	Atom-2	Interatomic distance (Å)	Clash overlap (Å)
5:A:505:SO4:O2	7:A:601:HOH:O	2.10	0.68
1:A:106:ILE:HD11	1:A:126:GLU:HB3	1.76	0.67
1:A:236:VAL:HG13	1:A:268:LEU:HD11	1.78	0.63
1:A:434:ALA:O	1:A:456:ARG:NH1	2.36	0.58
1:A:230:ALA:HB3	1:A:231:PRO:HD3	1.87	0.56
1:A:225:THR:HG23	1:A:227:ASP:OD1	2.07	0.55
1:A:423:VAL:HG13	1:A:424:GLN:NE2	2.23	0.53
1:A:168:HIS:ND1	5:A:506:SO4:O3	2.44	0.48
1:A:202:SER:H	4:A:504:DMS:H12	1.80	0.46
1:A:128:THR:HG1	2:A:501:HIS:N	2.15	0.44
1:A:168:HIS:CD2	3:A:502[B]:5IQ:CAC	3.01	0.43
1:A:387:VAL:HG23	1:A:434:ALA:HB2	2.00	0.43
1:A:421:LYS:HB2	1:A:424:GLN:OE1	2.19	0.42
1:A:403:LEU:HD22	1:A:415:ILE:HB	2.02	0.41
1:A:185:VAL:HG21	1:A:296:GLN:HB2	2.02	0.41
1:A:217:THR:OG1	1:A:284:HIS:NE2	2.48	0.41
1:A:236:VAL:CG1	1:A:268:LEU:HD11	2.48	0.40
1:A:67[A]:CYS:SG	1:A:377:LEU:HD13	2.61	0.40

There are no symmetry-related clashes.

### 5.3 Torsion angles [i](#)

#### 5.3.1 Protein backbone [i](#)

In the following table, the Percentiles column shows the percent Ramachandran outliers of the chain as a percentile score with respect to all X-ray entries followed by that with respect to entries of similar resolution.

The Analysed column shows the number of residues for which the backbone conformation was analysed, and the total number of residues.

Mol	Chain	Analysed	Favoured	Allowed	Outliers	Percentiles
1	A	411/456 (90%)	404 (98%)	7 (2%)	0	<b>100</b> <b>100</b>

There are no Ramachandran outliers to report.

#### 5.3.2 Protein sidechains [i](#)

In the following table, the Percentiles column shows the percent sidechain outliers of the chain as a percentile score with respect to all X-ray entries followed by that with respect to entries of similar resolution.

The Analysed column shows the number of residues for which the sidechain conformation was analysed, and the total number of residues.

Mol	Chain	Analysed	Rotameric	Outliers	Percentiles
1	A	331/380 (87%)	325 (98%)	6 (2%)	59 65

All (6) residues with a non-rotameric sidechain are listed below:

Mol	Chain	Res	Type
1	A	111	PHE
1	A	168	HIS
1	A	201	SER
1	A	353	THR
1	A	362	PHE
1	A	373	GLU

Sometimes sidechains can be flipped to improve hydrogen bonding and reduce clashes. There are no such sidechains identified.

### 5.3.3 RNA [i](#)

There are no RNA molecules in this entry.

## 5.4 Non-standard residues in protein, DNA, RNA chains [i](#)

There are no non-standard protein/DNA/RNA residues in this entry.

## 5.5 Carbohydrates [i](#)

There are no monosaccharides in this entry.

## 5.6 Ligand geometry [i](#)

8 ligands are modelled in this entry.

In the following table, the Counts columns list the number of bonds (or angles) for which Mogul statistics could be retrieved, the number of bonds (or angles) that are observed in the model and the number of bonds (or angles) that are defined in the Chemical Component Dictionary. The Link column lists molecule types, if any, to which the group is linked. The Z score for a bond length (or angle) is the number of standard deviations the observed value is removed from the expected value. A bond length (or angle) with  $|Z| > 2$  is considered an outlier worth inspection. RMSZ is the root-mean-square of all Z scores of the bond lengths (or angles).

Mol	Type	Chain	Res	Link	Bond lengths			Bond angles		
					Counts	RMSZ	# Z  > 2	Counts	RMSZ	# Z  > 2
6	EDO	A	507	-	3,3,3	0.37	0	2,2,2	0.57	0
3	5IQ	A	502[B]	-	12,12,12	0.20	0	15,16,16	0.37	0
4	DMS	A	503	-	3,3,3	0.53	0	3,3,3	0.56	0
4	DMS	A	504	-	3,3,3	0.57	0	3,3,3	0.59	0
5	SO4	A	505	-	4,4,4	0.30	0	6,6,6	0.19	0
5	SO4	A	506	-	4,4,4	0.44	0	6,6,6	0.19	0
3	5IQ	A	502[A]	-	12,12,12	0.20	0	15,16,16	0.36	0
2	HIS	A	501	-	6,11,11	1.00	1 (16%)	7,14,14	1.41	1 (14%)

In the following table, the Chirals column lists the number of chiral outliers, the number of chiral centers analysed, the number of these observed in the model and the number defined in the Chemical Component Dictionary. Similar counts are reported in the Torsion and Rings columns. '-' means no outliers of that kind were identified.

Mol	Type	Chain	Res	Link	Chirals	Torsions	Rings
2	HIS	A	501	-	-	0/8/8/8	0/1/1/1
6	EDO	A	507	-	-	1/1/1/1	-
3	5IQ	A	502[B]	-	-	-	0/2/2/2
3	5IQ	A	502[A]	-	-	-	0/2/2/2

All (1) bond length outliers are listed below:

Mol	Chain	Res	Type	Atoms	Z	Observed(Å)	Ideal(Å)
2	A	501	HIS	OXT-C	-2.22	1.23	1.30

All (1) bond angle outliers are listed below:

Mol	Chain	Res	Type	Atoms	Z	Observed(°)	Ideal(°)
2	A	501	HIS	OXT-C-O	-2.23	119.02	124.09

There are no chirality outliers.

All (1) torsion outliers are listed below:

Mol	Chain	Res	Type	Atoms
6	A	507	EDO	O1-C1-C2-O2

There are no ring outliers.

5 monomers are involved in 5 short contacts:

Mol	Chain	Res	Type	Clashes	Symm-Clashes
3	A	502[B]	5IQ	1	0
4	A	504	DMS	1	0
5	A	505	SO4	1	0
5	A	506	SO4	1	0
2	A	501	HIS	1	0

## 5.7 Other polymers [i](#)

There are no such residues in this entry.

## 5.8 Polymer linkage issues [i](#)

There are no chain breaks in this entry.

## 6 Fit of model and data

### 6.1 Protein, DNA and RNA chains

In the following table, the column labelled ‘#RSRZ> 2’ contains the number (and percentage) of RSRZ outliers, followed by percent RSRZ outliers for the chain as percentile scores relative to all X-ray entries and entries of similar resolution. The OWAB column contains the minimum, median, 95<sup>th</sup> percentile and maximum values of the occupancy-weighted average B-factor per residue. The column labelled ‘Q< 0.9’ lists the number of (and percentage) of residues with an average occupancy less than 0.9.

Mol	Chain	Analysed	<RSRZ>	#RSRZ>2	OWAB(Å <sup>2</sup> )	Q<0.9
1	A	415/456 (91%)	0.38	38 (9%) <b>9</b> <b>11</b>	21, 43, 86, 104	0

All (38) RSRZ outliers are listed below:

Mol	Chain	Res	Type	RSRZ
1	A	256	LEU	6.3
1	A	260	VAL	6.2
1	A	47	ASN	6.1
1	A	241	LYS	5.3
1	A	470	PHE	4.4
1	A	48	MET	4.4
1	A	254	LEU	3.9
1	A	258	PRO	3.7
1	A	469	GLY	3.7
1	A	261	VAL	3.4
1	A	242	ILE	3.4
1	A	252	ALA	3.3
1	A	222	ALA	3.3
1	A	253	VAL	3.2
1	A	243	PRO	3.2
1	A	257	GLU	3.2
1	A	251	LEU	3.0
1	A	259	THR	3.0
1	A	263	ALA	3.0
1	A	245	GLU	2.9
1	A	380	ILE	2.8
1	A	352	PRO	2.8
1	A	119	HIS	2.8
1	A	224	VAL	2.7
1	A	244	ARG	2.6
1	A	255	GLY	2.4
1	A	223	GLY	2.4

*Continued on next page...*

*Continued from previous page...*

Mol	Chain	Res	Type	RSRZ
1	A	282	GLU	2.3
1	A	250	GLN	2.3
1	A	456	ARG	2.3
1	A	360	PHE	2.2
1	A	350	GLY	2.2
1	A	154	CYS	2.1
1	A	55	GLN	2.1
1	A	219	VAL	2.1
1	A	227	ASP	2.1
1	A	117	GLY	2.1
1	A	262	ASP	2.0

## 6.2 Non-standard residues in protein, DNA, RNA chains [i](#)

There are no non-standard protein/DNA/RNA residues in this entry.

## 6.3 Carbohydrates [i](#)

There are no monosaccharides in this entry.

## 6.4 Ligands [i](#)

In the following table, the Atoms column lists the number of modelled atoms in the group and the number defined in the chemical component dictionary. The B-factors column lists the minimum, median, 95<sup>th</sup> percentile and maximum values of B factors of atoms in the group. The column labelled 'Q<0.9' lists the number of atoms with occupancy less than 0.9.

Mol	Type	Chain	Res	Atoms	RSCC	RSR	B-factors(Å <sup>2</sup> )	Q<0.9
4	DMS	A	503	4/4	0.87	0.23	69,70,73,74	0
6	EDO	A	507	4/4	0.87	0.14	56,56,59,61	0
3	5IQ	A	502[A]	11/11	0.88	0.18	42,42,43,43	11
3	5IQ	A	502[B]	11/11	0.88	0.18	42,42,43,44	11
5	SO4	A	506	5/5	0.92	0.14	58,67,69,71	0
4	DMS	A	504	4/4	0.95	0.14	53,53,54,57	0
5	SO4	A	505	5/5	0.96	0.16	34,35,36,38	5
2	HIS	A	501	11/11	0.98	0.19	23,24,25,26	0

## 6.5 Other polymers [i](#)

There are no such residues in this entry.