



wwPDB X-ray Structure Validation Summary Report ⓘ

Oct 31, 2023 – 05:16 PM EDT

PDB ID : 3MFQ
Title : A Glance into the Metal Binding Specificity of TroA: Where Elaborate Behaviors Occur in the Active Center
Authors : Gao, G.F.; Zheng, B.; Zhang, Q.; Gao, J.; Han, H.; Li, M.
Deposited on : 2010-04-03
Resolution : 2.60 Å(reported)

This is a wwPDB X-ray Structure Validation Summary Report for a publicly released PDB entry.

We welcome your comments at validation@mail.wwpdb.org

A user guide is available at

<https://www.wwpdb.org/validation/2017/XrayValidationReportHelp>

with specific help available everywhere you see the ⓘ symbol.

The types of validation reports are described at

<http://www.wwpdb.org/validation/2017/FAQs#types>.

The following versions of software and data (see [references ⓘ](#)) were used in the production of this report:

MolProbity : 4.02b-467
Xtriage (Phenix) : 1.13
EDS : 2.36
Percentile statistics : 20191225.v01 (using entries in the PDB archive December 25th 2019)
Refmac : 5.8.0158
CCP4 : 7.0.044 (Gargrove)
Ideal geometry (proteins) : Engh & Huber (2001)
Ideal geometry (DNA, RNA) : Parkinson et al. (1996)
Validation Pipeline (wwPDB-VP) : 2.36

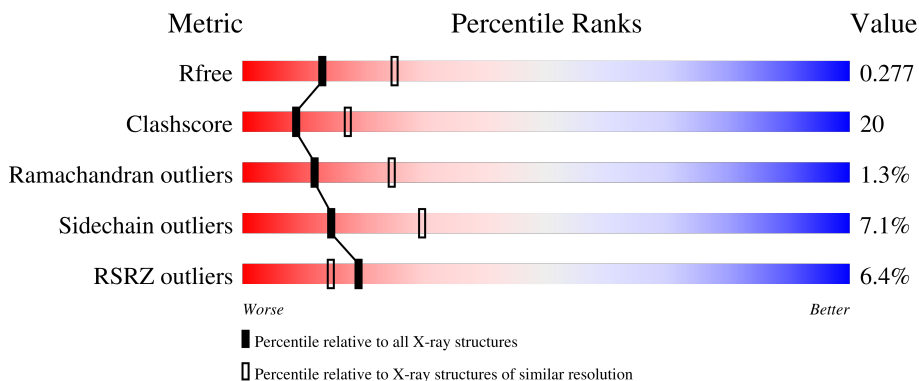
1 Overall quality at a glance

The following experimental techniques were used to determine the structure:

X-RAY DIFFRACTION

The reported resolution of this entry is 2.60 Å.

Percentile scores (ranging between 0-100) for global validation metrics of the entry are shown in the following graphic. The table shows the number of entries on which the scores are based.



Metric	Whole archive (#Entries)	Similar resolution (#Entries, resolution range(Å))
R_{free}	130704	3163 (2.60-2.60)
Clashscore	141614	3518 (2.60-2.60)
Ramachandran outliers	138981	3455 (2.60-2.60)
Sidechain outliers	138945	3455 (2.60-2.60)
RSRZ outliers	127900	3104 (2.60-2.60)

The table below summarises the geometric issues observed across the polymeric chains and their fit to the electron density. The red, orange, yellow and green segments of the lower bar indicate the fraction of residues that contain outliers for ≥ 3 , 2, 1 and 0 types of geometric quality criteria respectively. A grey segment represents the fraction of residues that are not modelled. The numeric value for each fraction is indicated below the corresponding segment, with a dot representing fractions $\leq 5\%$. The upper red bar (where present) indicates the fraction of residues that have poor fit to the electron density. The numeric value is given above the bar.

Mol	Chain	Length	Quality of chain
1	A	282	 6% (poor fit), 55% (0 outliers), 38% (1 outlier), 5% (2 outliers), 6% (3+ outliers)
1	B	282	 0% (poor fit), 62% (0 outliers), 33% (1 outlier), 5% (2 outliers), 0% (3+ outliers)
1	C	282	 11% (poor fit), 56% (0 outliers), 35% (1 outlier), 6% (2 outliers), 0% (3+ outliers)

2 Entry composition

There are 3 unique types of molecules in this entry. The entry contains 6826 atoms, of which 0 are hydrogens and 0 are deuteriums.

In the tables below, the ZeroOcc column contains the number of atoms modelled with zero occupancy, the AltConf column contains the number of residues with at least one atom in alternate conformation and the Trace column contains the number of residues modelled with at most 2 atoms.

- Molecule 1 is a protein called High-affinity zinc uptake system protein znuA.

Mol	Chain	Residues	Atoms					ZeroOcc	AltConf	Trace
			Total	C	N	O	S			
1	A	278	2193	1397	353	435	8	0	0	0
1	B	278	2193	1397	353	435	8	0	0	0
1	C	278	2193	1397	353	435	8	0	0	0

- Molecule 2 is ZINC ION (three-letter code: ZN) (formula: Zn).

Mol	Chain	Residues	Atoms		ZeroOcc	AltConf
2	A	1	Total	Zn	0	0
			1	1		
2	B	1	Total	Zn	0	0
			1	1		
2	C	1	Total	Zn	0	0
			1	1		

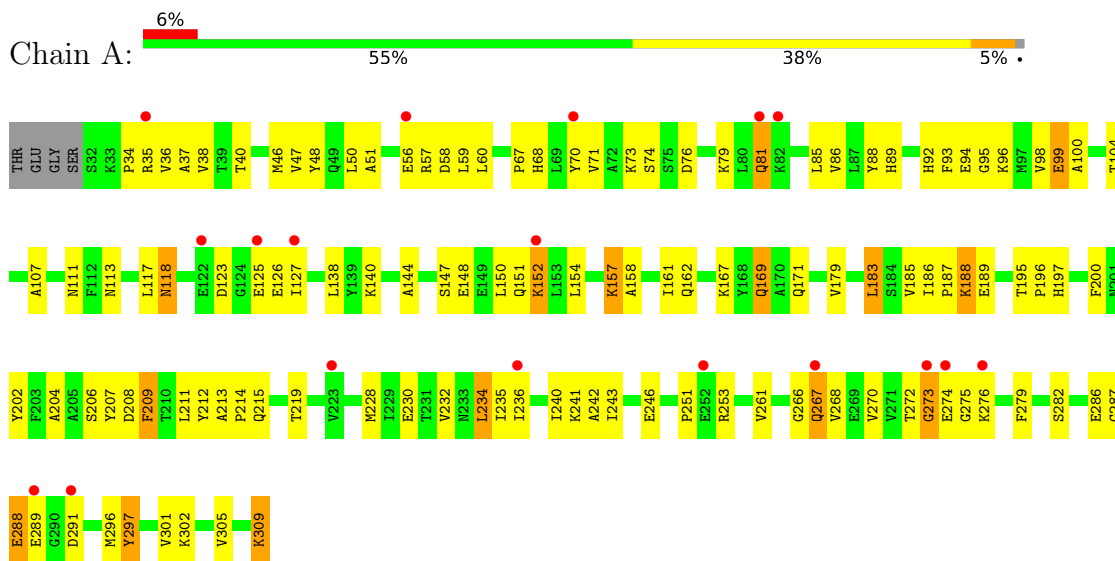
- Molecule 3 is water.

Mol	Chain	Residues	Atoms		ZeroOcc	AltConf
3	A	102	Total	O	0	0
			102	102		
3	B	110	Total	O	0	0
			110	110		
3	C	32	Total	O	0	0
			32	32		

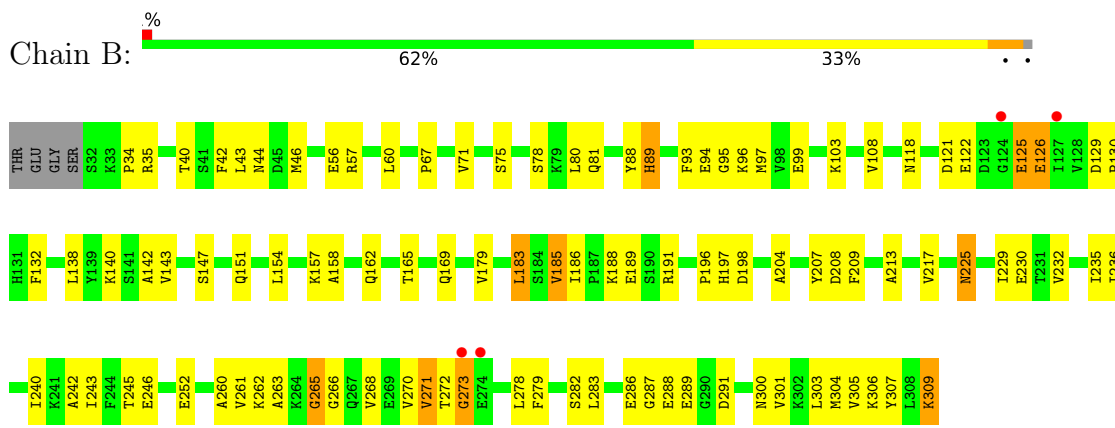
3 Residue-property plots [i](#)

These plots are drawn for all protein, RNA, DNA and oligosaccharide chains in the entry. The first graphic for a chain summarises the proportions of the various outlier classes displayed in the second graphic. The second graphic shows the sequence view annotated by issues in geometry and electron density. Residues are color-coded according to the number of geometric quality criteria for which they contain at least one outlier: green = 0, yellow = 1, orange = 2 and red = 3 or more. A red dot above a residue indicates a poor fit to the electron density ($RSRZ > 2$). Stretches of 2 or more consecutive residues without any outlier are shown as a green connector. Residues present in the sample, but not in the model, are shown in grey.

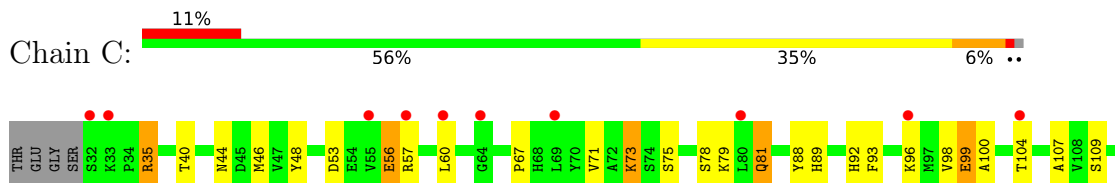
- Molecule 1: High-affinity zinc uptake system protein znuA

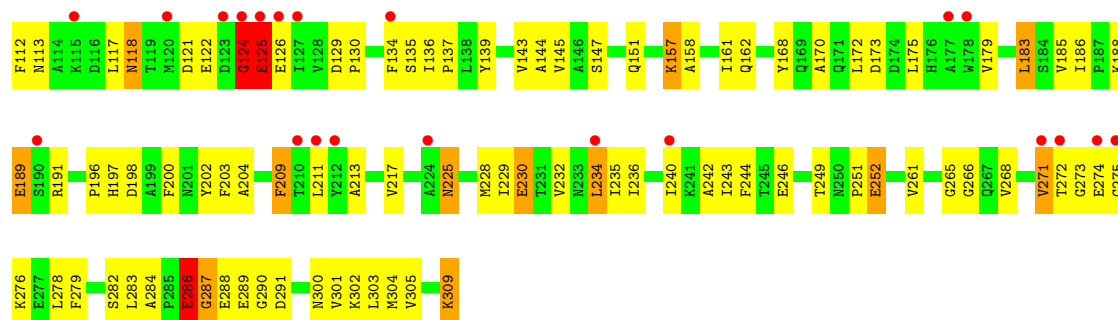


- Molecule 1: High-affinity zinc uptake system protein znuA



- Molecule 1: High-affinity zinc uptake system protein znuA





4 Data and refinement statistics i

Property	Value	Source
Space group	P 43	Depositor
Cell constants a, b, c, α , β , γ	102.36Å 102.36Å 107.33Å 90.00° 90.00° 90.00°	Depositor
Resolution (Å)	25.44 – 2.60 25.44 – 2.60	Depositor EDS
% Data completeness (in resolution range)	90.7 (25.44-2.60) 96.3 (25.44-2.60)	Depositor EDS
R_{merge}	0.08	Depositor
R_{sym}	(Not available)	Depositor
$\langle I/\sigma(I) \rangle$ ¹	3.83 (at 2.60Å)	Xtriage
Refinement program	PHENIX (phenix.refine: 1.5_2)	Depositor
R, R_{free}	0.226 , 0.256 0.237 , 0.277	Depositor DCC
R_{free} test set	1666 reflections (5.07%)	wwPDB-VP
Wilson B-factor (Å ²)	49.6	Xtriage
Anisotropy	0.018	Xtriage
Bulk solvent k_{sol} (e/Å ³), B_{sol} (Å ²)	0.37 , 44.8	EDS
L-test for twinning ²	$\langle L \rangle = 0.50$, $\langle L^2 \rangle = 0.33$	Xtriage
Estimated twinning fraction	0.000 for -h,-l,-k 0.000 for -h,l,k 0.000 for l,-k,h 0.000 for -l,-k,-h 0.478 for h,-k,-l	Xtriage
Reported twinning fraction	0.502 for h,-k,-l	Depositor
Outliers	0 of 32873 reflections	Xtriage
F_o, F_c correlation	0.94	EDS
Total number of atoms	6826	wwPDB-VP
Average B, all atoms (Å ²)	58.0	wwPDB-VP

Xtriage's analysis on translational NCS is as follows: *The analyses of the Patterson function reveals a significant off-origin peak that is 37.56 % of the origin peak, indicating pseudo-translational symmetry. The chance of finding a peak of this or larger height randomly in a structure without pseudo-translational symmetry is equal to 4.2082e-04. The detected translational NCS is most likely also responsible for the elevated intensity ratio.*

¹Intensities estimated from amplitudes.

²Theoretical values of $\langle |L| \rangle$, $\langle L^2 \rangle$ for acentric reflections are 0.5, 0.333 respectively for untwinned datasets, and 0.375, 0.2 for perfectly twinned datasets.

5 Model quality [i](#)

5.1 Standard geometry [i](#)

Bond lengths and bond angles in the following residue types are not validated in this section:
ZN

The Z score for a bond length (or angle) is the number of standard deviations the observed value is removed from the expected value. A bond length (or angle) with $|Z| > 5$ is considered an outlier worth inspection. RMSZ is the root-mean-square of all Z scores of the bond lengths (or angles).

Mol	Chain	Bond lengths		Bond angles	
		RMSZ	# Z >5	RMSZ	# Z >5
1	A	0.25	0/2237	0.51	3/3028 (0.1%)
1	B	0.25	0/2237	0.51	4/3028 (0.1%)
1	C	0.23	0/2237	0.50	4/3028 (0.1%)
All	All	0.24	0/6711	0.50	11/9084 (0.1%)

There are no bond length outliers.

The worst 5 of 11 bond angle outliers are listed below:

Mol	Chain	Res	Type	Atoms	Z	Observed(°)	Ideal(°)
1	A	125	GLU	CB-CA-C	11.06	132.52	110.40
1	B	125	GLU	CB-CA-C	10.39	131.18	110.40
1	C	287	GLY	N-CA-C	9.05	135.73	113.10
1	C	125	GLU	N-CA-C	-7.04	91.98	111.00
1	B	126	GLU	N-CA-C	-6.67	93.00	111.00

There are no chirality outliers.

There are no planarity outliers.

5.2 Too-close contacts [i](#)

In the following table, the Non-H and H(model) columns list the number of non-hydrogen atoms and hydrogen atoms in the chain respectively. The H(added) column lists the number of hydrogen atoms added and optimized by MolProbity. The Clashes column lists the number of clashes within the asymmetric unit, whereas Symm-Clashes lists symmetry-related clashes.

Mol	Chain	Non-H	H(model)	H(added)	Clashes	Symm-Clashes
1	A	2193	0	2160	104	0
1	B	2193	0	2160	79	0
1	C	2193	0	2160	94	0

Continued on next page...

Continued from previous page...

Mol	Chain	Non-H	H(model)	H(added)	Clashes	Symm-Clashes
2	A	1	0	0	0	0
2	B	1	0	0	0	0
2	C	1	0	0	0	0
3	A	102	0	0	9	0
3	B	110	0	0	7	0
3	C	32	0	0	2	0
All	All	6826	0	6480	266	0

The all-atom clashscore is defined as the number of clashes found per 1000 atoms (including hydrogen atoms). The all-atom clashscore for this structure is 20.

The worst 5 of 266 close contacts within the same asymmetric unit are listed below, sorted by their clash magnitude.

Atom-1	Atom-2	Interatomic distance (Å)	Clash overlap (Å)
1:C:284:ALA:HB3	1:C:290:GLY:O	1.39	1.19
1:C:284:ALA:CB	1:C:290:GLY:O	2.05	1.03
1:C:288:GLU:HG3	1:C:289:GLU:H	1.24	1.03
1:A:251:PRO:HB2	1:C:287:GLY:HA3	1.38	1.00
1:A:241:LYS:C	1:A:268:VAL:HG23	1.90	0.92

There are no symmetry-related clashes.

5.3 Torsion angles [i](#)

5.3.1 Protein backbone [i](#)

In the following table, the Percentiles column shows the percent Ramachandran outliers of the chain as a percentile score with respect to all X-ray entries followed by that with respect to entries of similar resolution.

The Analysed column shows the number of residues for which the backbone conformation was analysed, and the total number of residues.

Mol	Chain	Analysed	Favoured	Allowed	Outliers	Percentiles	
1	A	276/282 (98%)	250 (91%)	23 (8%)	3 (1%)	14	30
1	B	276/282 (98%)	248 (90%)	24 (9%)	4 (1%)	11	22
1	C	276/282 (98%)	246 (89%)	26 (9%)	4 (1%)	11	22
All	All	828/846 (98%)	744 (90%)	73 (9%)	11 (1%)	12	24

5 of 11 Ramachandran outliers are listed below:

Mol	Chain	Res	Type
1	A	267	GLN
1	A	273	GLY
1	B	125	GLU
1	B	273	GLY
1	C	125	GLU

5.3.2 Protein sidechains [i](#)

In the following table, the Percentiles column shows the percent sidechain outliers of the chain as a percentile score with respect to all X-ray entries followed by that with respect to entries of similar resolution.

The Analysed column shows the number of residues for which the sidechain conformation was analysed, and the total number of residues.

Mol	Chain	Analysed	Rotameric	Outliers	Percentiles	
1	A	241/244 (99%)	222 (92%)	19 (8%)	12	24
1	B	241/244 (99%)	230 (95%)	11 (5%)	27	51
1	C	241/244 (99%)	220 (91%)	21 (9%)	10	20
All	All	723/732 (99%)	672 (93%)	51 (7%)	14	29

5 of 51 residues with a non-rotameric sidechain are listed below:

Mol	Chain	Res	Type
1	B	271	VAL
1	C	99	GLU
1	C	286	GLU
1	B	309	LYS
1	C	73	LYS

Sometimes sidechains can be flipped to improve hydrogen bonding and reduce clashes. 5 of 22 such sidechains are listed below:

Mol	Chain	Res	Type
1	C	81	GLN
1	C	171	GLN
1	C	169	GLN
1	C	215	GLN
1	B	81	GLN

5.3.3 RNA [i](#)

There are no RNA molecules in this entry.

5.4 Non-standard residues in protein, DNA, RNA chains [i](#)

There are no non-standard protein/DNA/RNA residues in this entry.

5.5 Carbohydrates [i](#)

There are no monosaccharides in this entry.

5.6 Ligand geometry [i](#)

Of 3 ligands modelled in this entry, 3 are monoatomic - leaving 0 for Mogul analysis.

There are no bond length outliers.

There are no bond angle outliers.

There are no chirality outliers.

There are no torsion outliers.

There are no ring outliers.

No monomer is involved in short contacts.

5.7 Other polymers [i](#)

There are no such residues in this entry.

5.8 Polymer linkage issues [i](#)

There are no chain breaks in this entry.

6 Fit of model and data [i](#)

6.1 Protein, DNA and RNA chains [i](#)

In the following table, the column labelled ‘#RSRZ > 2’ contains the number (and percentage) of RSRZ outliers, followed by percent RSRZ outliers for the chain as percentile scores relative to all X-ray entries and entries of similar resolution. The OWAB column contains the minimum, median, 95th percentile and maximum values of the occupancy-weighted average B-factor per residue. The column labelled ‘Q < 0.9’ lists the number of (and percentage) of residues with an average occupancy less than 0.9.

Mol	Chain	Analysed	<RSRZ>	#RSRZ>2	OWAB(Å ²)	Q<0.9
1	A	278/282 (98%)	0.42	18 (6%) 18 14	33, 52, 88, 219	0
1	B	278/282 (98%)	0.29	4 (1%) 75 71	18, 40, 67, 152	0
1	C	278/282 (98%)	0.84	31 (11%) 5 3	43, 71, 130, 375	0
All	All	834/846 (98%)	0.52	53 (6%) 19 14	18, 54, 105, 375	0

The worst 5 of 53 RSRZ outliers are listed below:

Mol	Chain	Res	Type	RSRZ
1	C	123	ASP	8.9
1	C	120	MET	8.7
1	C	124	GLY	6.9
1	A	223	VAL	6.0
1	B	273	GLY	5.8

6.2 Non-standard residues in protein, DNA, RNA chains [i](#)

There are no non-standard protein/DNA/RNA residues in this entry.

6.3 Carbohydrates [i](#)

There are no monosaccharides in this entry.

6.4 Ligands [i](#)

In the following table, the Atoms column lists the number of modelled atoms in the group and the number defined in the chemical component dictionary. The B-factors column lists the minimum, median, 95th percentile and maximum values of B factors of atoms in the group. The column labelled ‘Q < 0.9’ lists the number of atoms with occupancy less than 0.9.

Mol	Type	Chain	Res	Atoms	RSCC	RSR	B-factors(\AA^2)	Q<0.9
2	ZN	C	401	1/1	0.88	0.14	66,66,66,66	0
2	ZN	A	401	1/1	0.98	0.15	48,48,48,48	0
2	ZN	B	401	1/1	0.99	0.18	41,41,41,41	0

6.5 Other polymers [i](#)

There are no such residues in this entry.